



eSENSE Single | eSENSE Living

Anleitung Holzsplit-Set (DE)
Instructions Jeu de bûches (FR)
Manual wood logs set (EN)
Handleiding houtstamset (NL)

RAIS[®]

attika[®]
FEUERKULTUR

ATTIKA FEUER AG

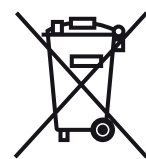
MODEL:

eSENSE Single | Living top part

VOLTAGE: 24V DC

POWER: 10W

www.attika.ch



DE.....	9
FR.....	13
EN.....	17
NL.....	21

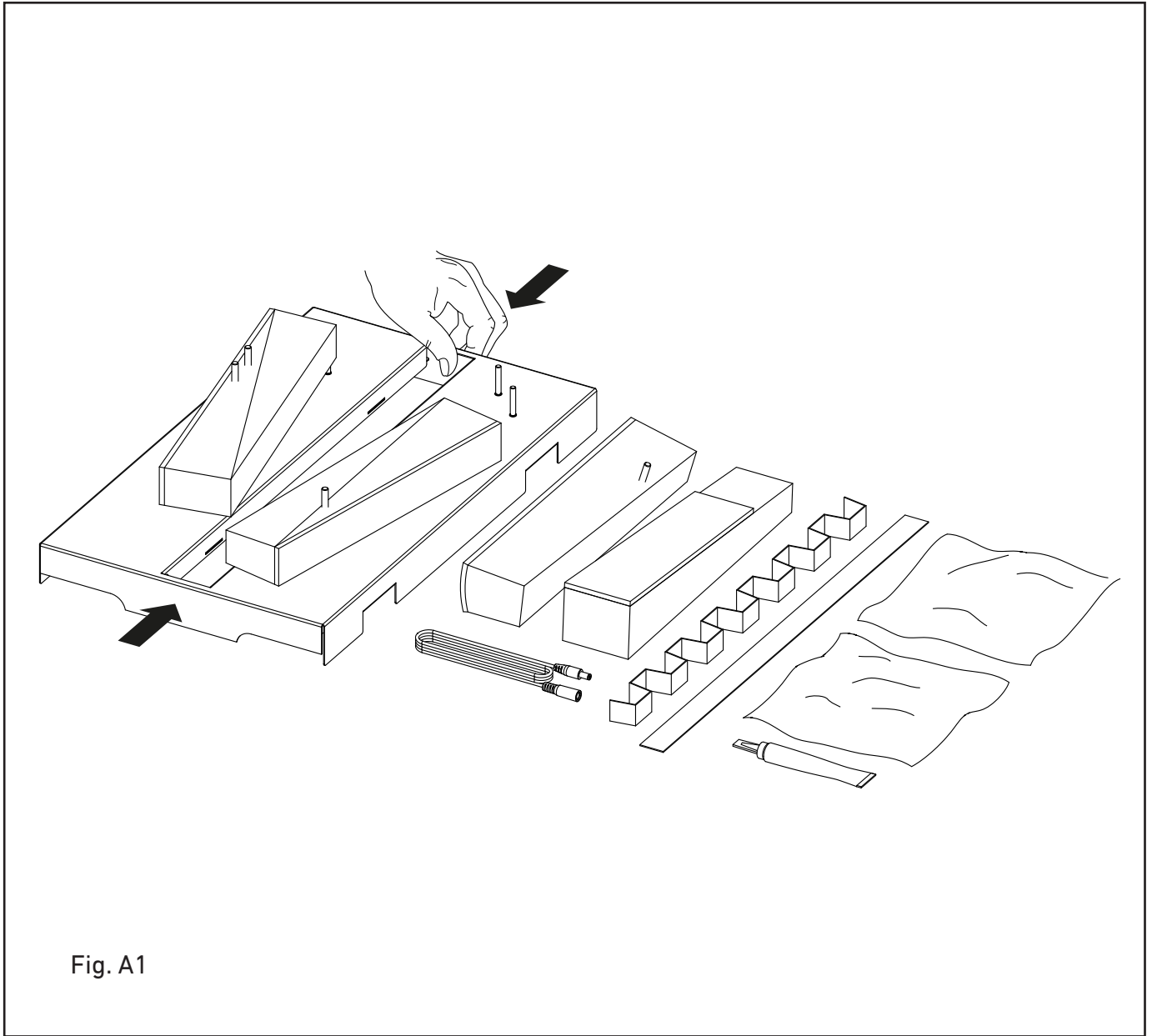


Fig. A1

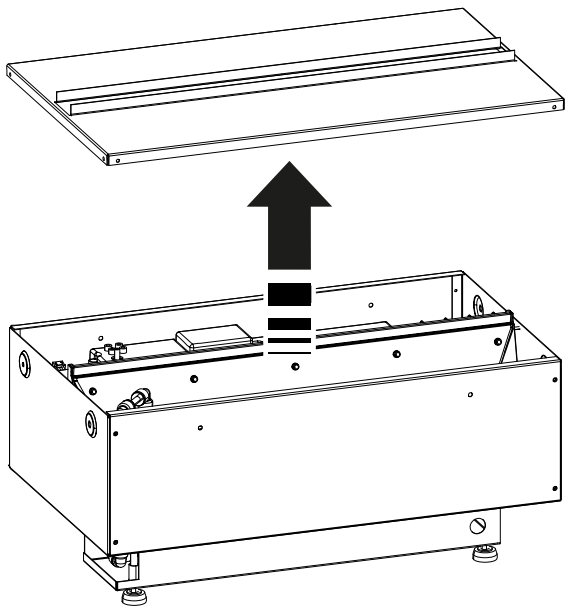


Fig. A2

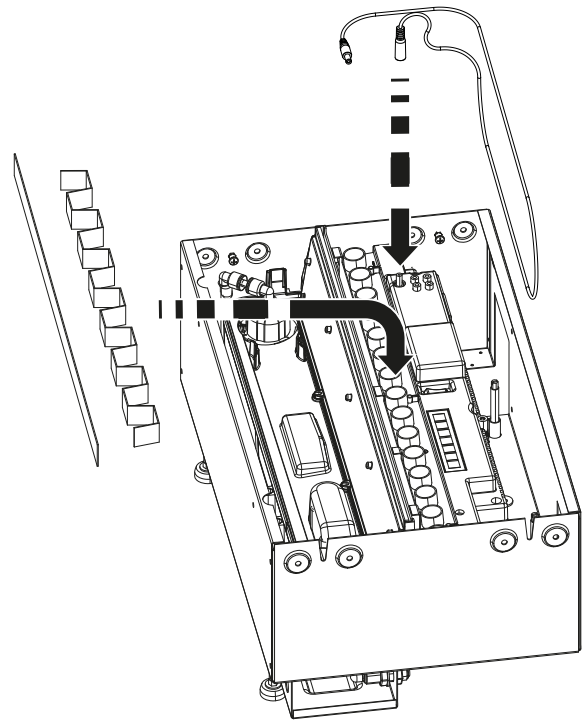


Fig. A3

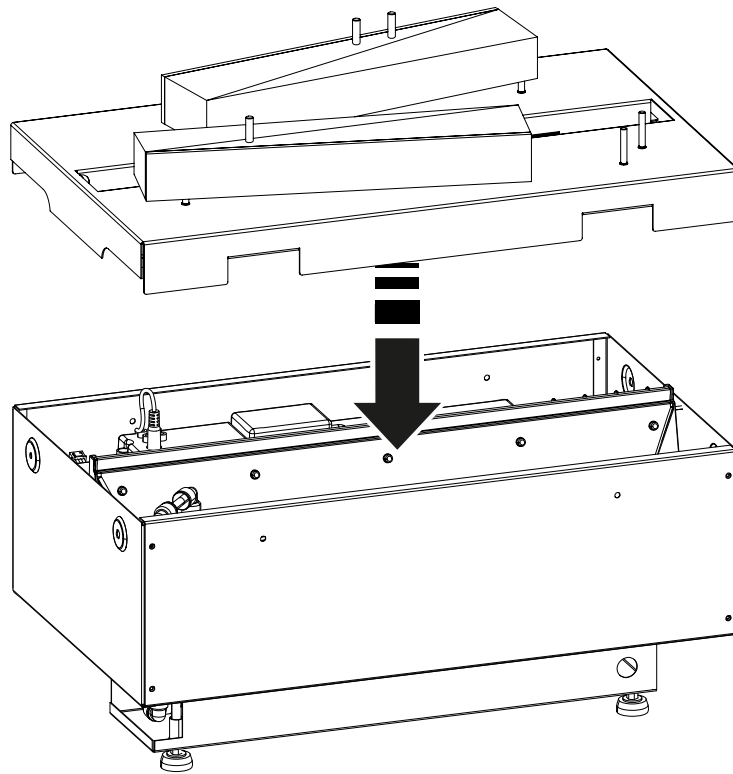


Fig. A4

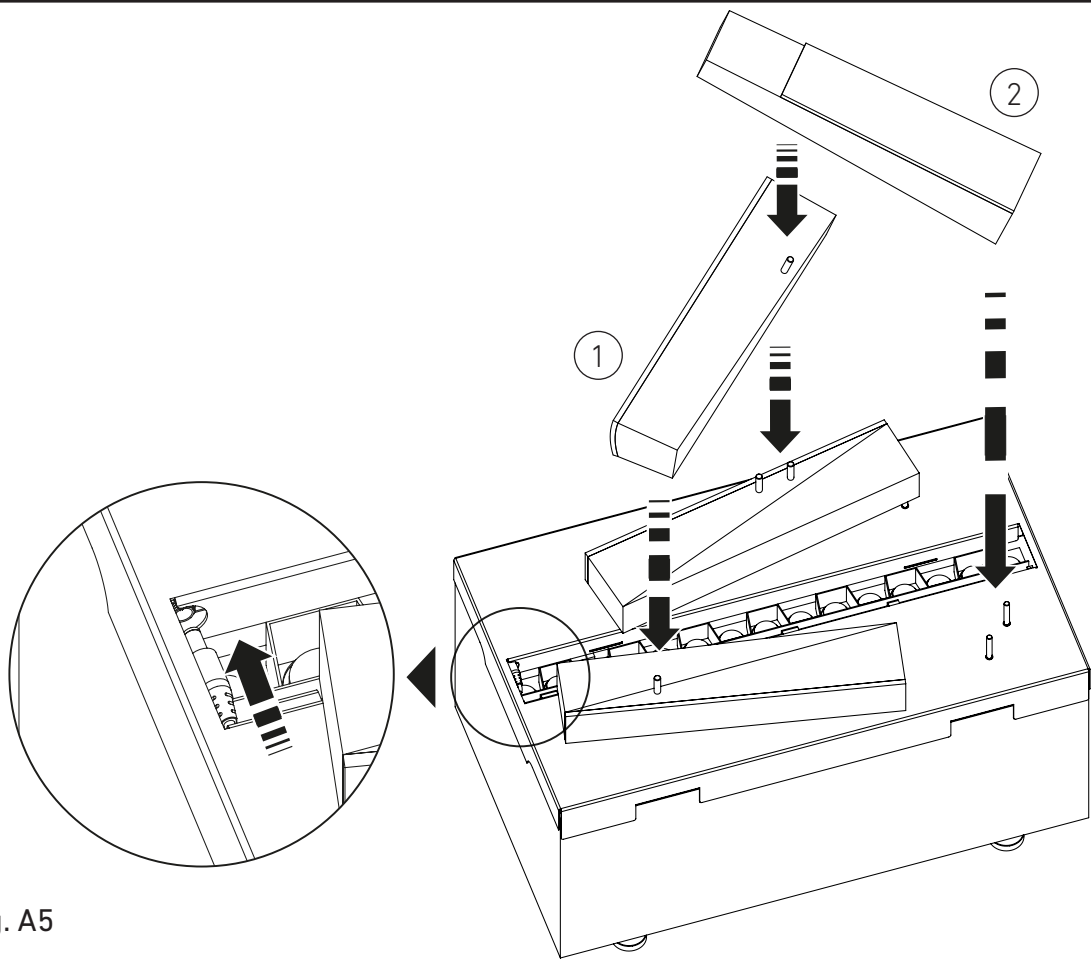


Fig. A5

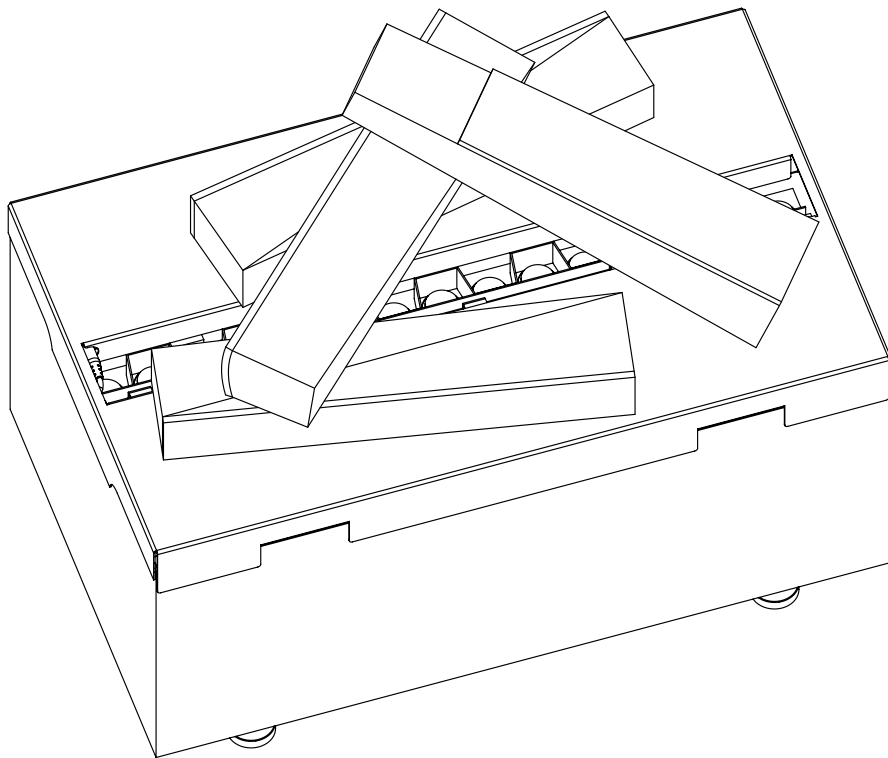


Fig. A6

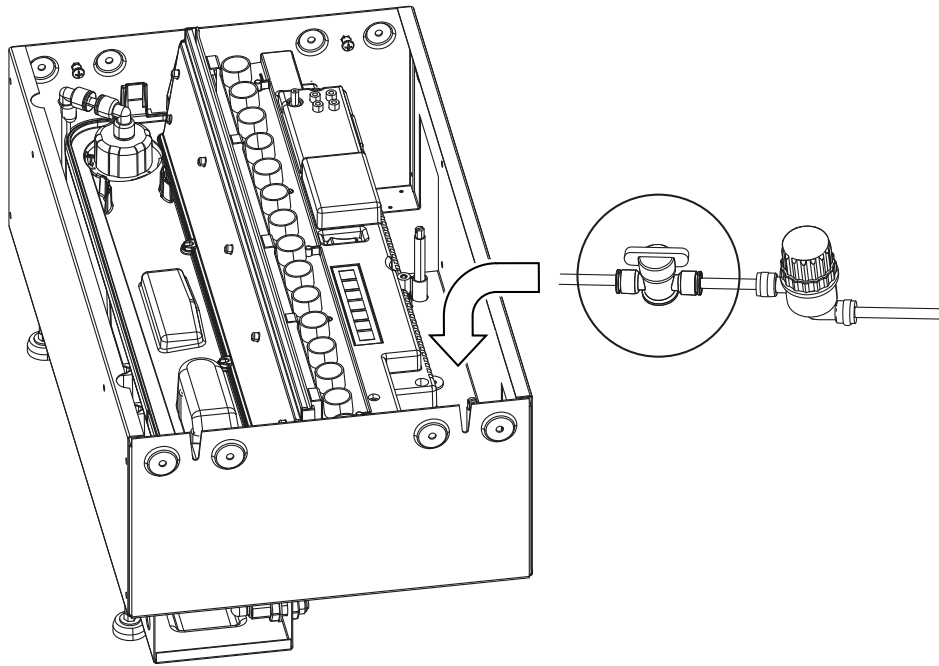


Fig. A7

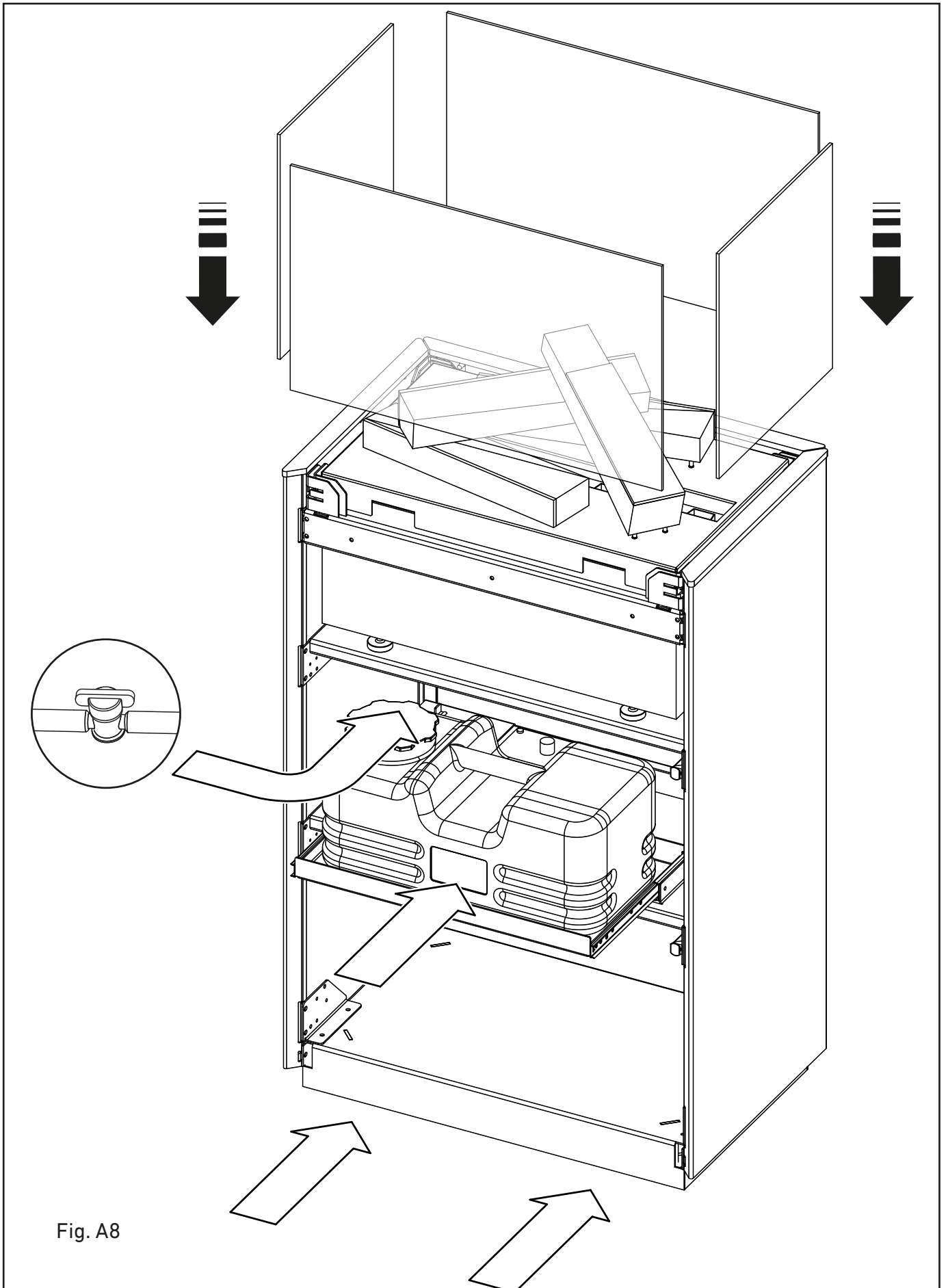


Fig. A8

Information about the product

Congratulations on your eSENSE. We wish you lots of fun and cosy hours with your new electric fireplaces.

Important note:

This manual supplements the Dimplex CAS 500 manual and describes the installation of the Attika wood logs set. To ensure correct installation, you will need both manuals: the Dimplex Cassette 500 manual and this manual as a supplement for the Attika wood logs set. Please pay attention to the figures and text passages that differ from the Dimplex manual (Fig. 15-18) and follow the instructions in this eSENSE manual.

Handmade:

The wood logs set is manufactured by the non-profit organisation «Gemeinnützige Gesellschaft Zug» (GGZ) in CH-6300 Zug. The components are carefully handcrafted by disabled people from the GGZ, making each piece unique. Chips may fall off during transport. The set comes with a bag of grey chips, a bag of black chips, and a tube of glue. You can add chips to customise the fireplace to your wishes if needed.

Warranty:

There is a 2-year warranty from the date of purchase. The warranty covers material and manufacturing defects. Attika Feuer AG can provide warranty service either by repair or equivalent replacement. In the event of a warranty claim, Attika Feuer AG may send the necessary spare parts or the appliance must be sent to the address specified by Attika Feuer AG, and the appliance will either be repaired or replaced.

The warranty does not cover damage occurring after manufacture, such as transport damage, damage due to incorrect assembly or installation, improper use, misuse, natural wear and tear, external influences, the use of non-original spare parts and repairs by persons other than Attika dealers or Attika Feuer AG.

Packaging:

We recommend that you keep the packaging material in case you need to return the product.

This manual applies to the following models:



eSENSE Single Cassette incl. 1.3-litre internal water tank



eSENSE Single Cassette for direct tap water connection



eSENSE Single Cassette incl. 10-litre external water tank
eSENSE Single Cassette incl. 15-litre external water tank
eSENSE Living incl. 10-litre water tank

Installation eSENSE Single → Start at point 1

Installation eSENSE Living → Start at point 9

Installation of the log bed

The product is supplied with a simple, empty fuel bed (black painted steel cover). To install the log bed, first remove the fuel bed (Fig. A2). It is not needed for further installation.

Follow the instructions to install the log bed.

1. The package includes two plastic strips that serve as glare protection. Depending on the positioning of the fireplace, these can be used to reduce the direct view of the LEDs. To do this, firmly fold the pre-folded plastic strip so that the bends are approximately at right angles. Then, place it upright in the middle between the LEDs (Fig. A3). Now, place the unfolded strip upright between the folded strip and the upright metal sheet.
2. Connect the enclosed DC cable to the device from the top (Fig. A3). Feed the cable loop into the rear open area of the device and place the free plug loosely over the outermost LEDs.
3. Carefully lift the log bed out of the packaging. **WARNING:** The log bed weighs 5 kilograms. Grasp the short sides of the log bed in the middle (Fig. A1).
4. Place the log bed on the appliance (Fig. A4). The log bed must sit horizontally on the appliance without wobbling.
5. Note that the log bed can be placed with the front or rear side on the appliance. We recommend that you rotate the log bed so that the ceramic logs, which are positioned more centrally, are placed at the rear. If several units are connected in series, the log bed can be rotated alternately.
6. Connect the free end of the DC cable to the socket in the log bed (Fig. A5).
7. Place the two loose ceramic logs on the pins provided (first, the one with the metal pin; see Fig. A5 and A6).
8. The two bags of grey and black chips supplied can be used as a reserve or added as required.

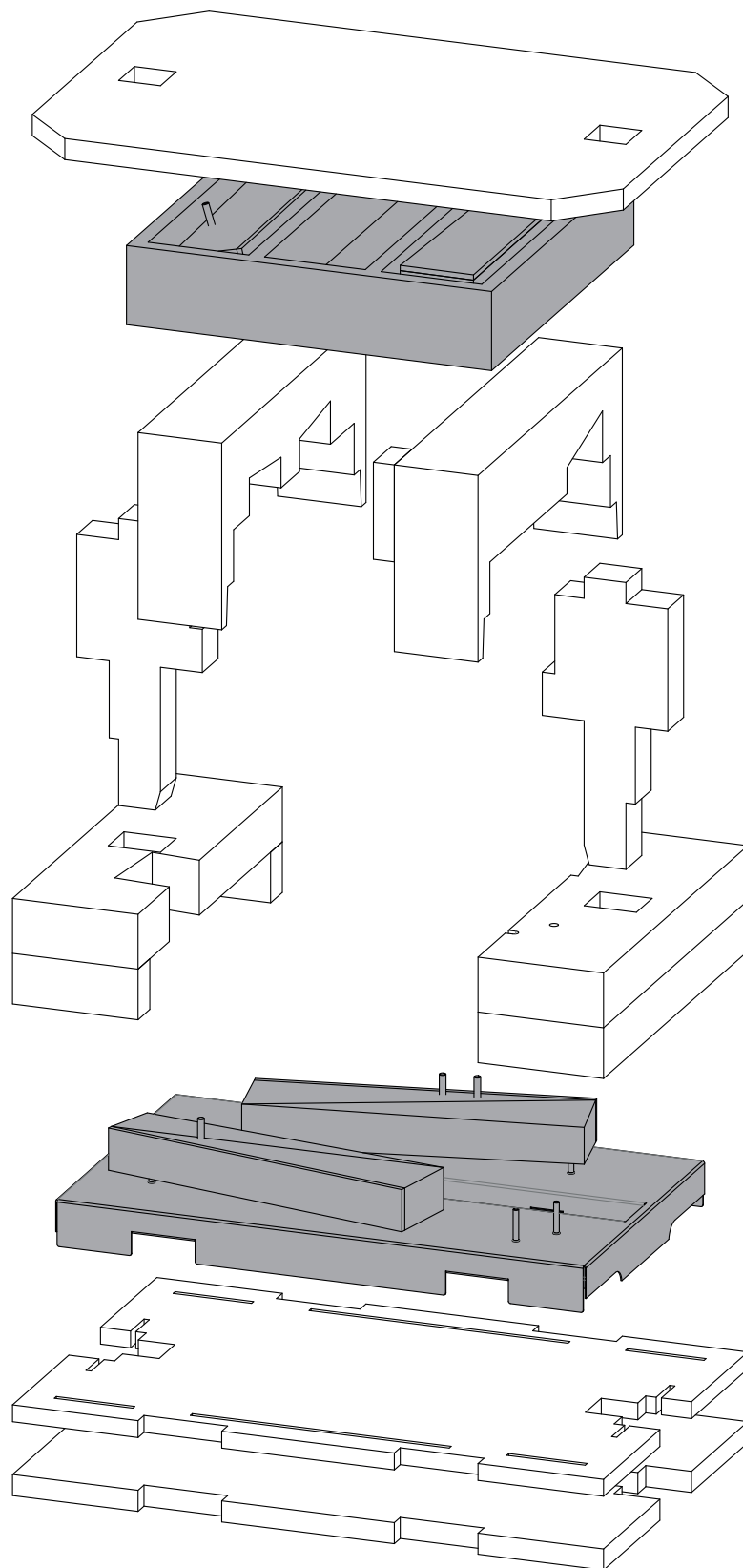
Installing the eSENSE Living furniture unit

9. Align the adjustable feet so the box is straight and stable (Fig. A8).
10. Check that all hoses and connections are firmly connected.
11. Open the two valves. One is located on the cassette (Fig. A7), and the other is in the right rear corner of the water canister (Fig. A8).
12. Open the tank vent to avoid a vacuum.
13. Put the cassette into operation according to the Dimplex manual. After commissioning, switch off the appliance.
14. Place the imitation wood (see above „Install the log bed“ from point 1).
15. Carefully insert the glass panes into the upper slots on the edge of the steel furniture (Fig. A8).

Information about the packaging

Packaging material

We recommend keeping the packaging material in case you need to return the product. This view is used to pack the product securely:



Exploded view packaging material



RAIS[®]

RAIS A/S
Industrivej 20
DK-9900 Frederikshavn
Denmark
www.rais.com

attika[®]
FEUERKULTUR

ATTIKA FEUER AG
Brunnmatt 16
CH-6330 Cham
Switzerland
www.attika.ch