



DK

ElectronicAIR™

BRUGERVEJLEDNING
BEDIENUNGSANLEITUNG
USER MANUAL
MANUEL D'UTILISATEUR
BRUKERVEILEDNING
BRUKSANVISNING
KÄYTTÖOHJE
GEBRUIKERHANDLEIDING

CONTENTS

ElectronicAIR	17
Start-up	17
Inserting batteries in the remote control	18
Synchronisation of the remote control and receiver	18
Setting the remote control	19
Use of wood-burning stove with ElectronicAIR	21
Troubleshooting	22

GB

ElectronicAIR™

ELECTRONICAIR

ElectronicAIR is an electronic system that is programmed to regulate the combustion air in the wood-burning stove. Two thermocouples constantly communicate with the receiver and remote control. Based on this communication, the damper opens or closes automatically to ensure the optimal combustion during the start-up and continuous burning. The LED indicates when the wood-burning stove automatically changes the damper's position.

When the wood-burning stove is not in use, the damper is fully closed. When the door is opened, the door switch ensures that the damper is fully open to create extra air when starting the fire and when stoking the fire.

If the batteries in the receiver or remote control become flat, the wood-burning stove will continue to function. But the wood-burning stove damper will always be fully open.

If you wish to manually regulate the damper and thus the supply of air, then set the remote control to manual.

Follow these instructions to use ElectronicAIR.

START-UP

We recommend that only alkaline batteries or equivalent high-quality batteries are used. The batteries should be replaced before using the wood-burning stove for the first in the year. Do not use a pointed item to remove old batteries.

Remote control

Use qty. 2 AAA batteries for the remote control.



Remote control

Receiver

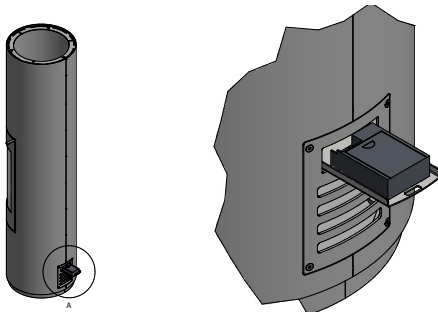
Use qty. 4 AA batteries for the receiver.

The receiver is positioned in the opening behind the wood-burning stove.

Pull out the tray with the receiver to gain access to the batteries (see drawing).



Receiver



INSERTING BATTERIES IN THE REMOTE CONTROL

1. First, insert new batteries in the remote control.
2. The remote control must be in the manual setting for the remote control and the receiver to synchronise. If the remote control is in the automatic setting, set it to manual by briefly pushing the 'up' and 'down' buttons at the same time.



SYNCHRONISATION OF THE REMOTE CONTROL AND RECEIVER

The remote control must now be synchronised using the wood-burning stove receiver. Procedure to synchronise the remote control and receiver:

1. Insert batteries in the receiver.
2. The LED light in the front of the wood-burning stove should flash yellow and then light green. This means that the damper is operating a start-up reference test. You may also hear a 'click' sound, which is completely normal. This process may take up to two minutes.
3. After the test is finished, **the LED light will flash red for 20 seconds**. During this time, the remote control and receiver are synchronised*. First, press the 'up' button and then press the 'down' button.
4. The LED light will briefly light green when the synchronisation is complete and then go out.

NB: Whenever the batteries are changed in the receiver, synchronisation must be repeated.

*If you did not manage to synchronise the remote control and the receiver during this time, remove the batteries and then put them back. You can then repeat the synchronisation process.

SETTING THE REMOTE CONTROL

The remote control can be set to display the time, temperature, etc.

To enter the manual setting menu, press the 'up' button and 'down' button at the same time for about five seconds, until the display changes.



NB:

- To change the setting, press the 'up' button (the button on the right) will change the setting.
- To move to the next menu, press the 'down' button (the button on the left).
- Move to the next menu within 15 seconds.
- After 15 seconds of inactivity, the programming menu will be exited.
- Settings are saved automatically.

Menu 1:

Select whether you want to display the temperature in degrees Fahrenheit or degrees Celsius.

The figure states the room temperature.



Menu 2:

Select whether you want to display the time in 24-hour or 12-hour format.



Menu 3:

Set the time.
First select the hours.



Menu 4:

Next, select the minutes.



Menu 5:

Activate or de-activate the child lock.



Menu 6:

Settings for type of fuel: 00 wood or 01 coal.
It is very important that this setting is set to 00 (wood).



00 Setting for wood



01 Setting for coal

When you have finished with the six settings, you must wait 15 seconds for the settings to be saved and the settings menu to be exited.

USE OF WOOD-BURNING STOVE WITH ELECTRONICAIR

After the remote control is synchronised and set, the wood-burning stove can be used. The wood-burning stove can be used with automatic or manual operation.

AUTOMATIC OPERATION

If you want the damper on the wood-burning stove to be regulated automatically, you can use the remote control to set the stove to automatic operation. Follow this guide showing how to operate a wood-burning stove with ElectronicAIR that is in automatic operation mode.

1. First, you must ensure that the wood-burning stove has been set to automatic operation. To switch to automatic operation, briefly press the 'up' button and 'down' button at the same time. "Auto" is shown in the display.
2. Light the fire in the wood-burning stove. If required, read the section "Starting the fire correctly" in the user manual.
3. Let the door stay slightly open for approximately five minutes. Next, close the door.
4. Once there is a good layer of embers, place two logs on the fire.
5. ElectronicAIR regulates the actual combustion air during burning.

MANUAL OPERATION

If you wish to personally regulate the wood-burning stove, you can use the remote control to set the stove to manual operation. Follow this guide showing how to operate a wood-burning stove with ElectronicAIR that is in manual operation mode.

1. First, you must ensure that the wood-burning stove has been set to manual operation. To switch to manual operation, briefly press the 'up' button and 'down' button at the same time. "Manual" is shown in the display.
2. Light the fire in the wood-burning stove. If required, read the section "Starting the fire correctly" in the user manual.
3. Let the door stay slightly open for approximately five minutes. Next, close the door.
4. Once there is a good layer of embers, place two logs on the fire.
5. Open and close the damper by using the two arrows on the remote control.

NB! The LED light on the front of the wood-burning stove lights green when you open and close the door and the damper automatically regulates up or down. In addition, the LED light lights briefly when you press the buttons on the remote control.

If the LED light lights red or yellow, then please refer to the **troubleshooting section below** .

TROUBLESHOOTING

The table below lists the most frequent causes of why the LED light is lit red or yellow.

LED light	Cause	Solution
The LED light flashes yellow twice a minute.	Warning: Low battery power in the receiver.	Replace the batteries in the receiver.
LED light is constantly lit red.	Fault: The receiver has no power. In this situation, the damper opens completely and stays open until the batteries are replaced.	Replace the batteries in the receiver.
The LED light flashes yellow three times a minute.	Warning: The door is open and the sensor indicates the temperature is over 50° C.	Close the door to the wood-burning stove.