

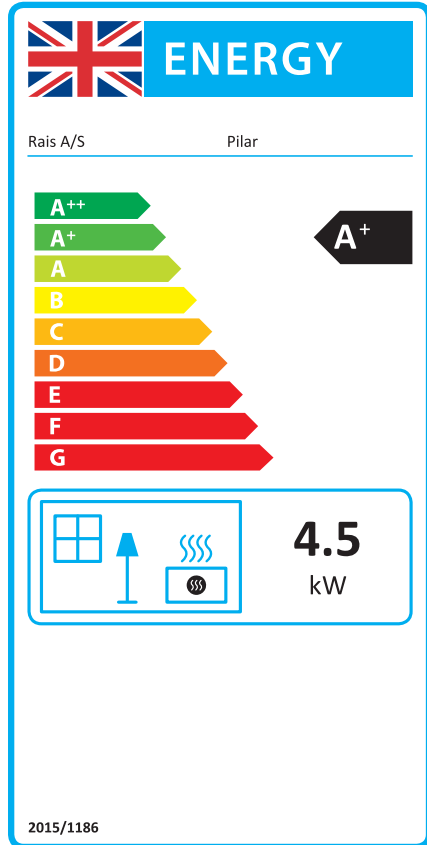
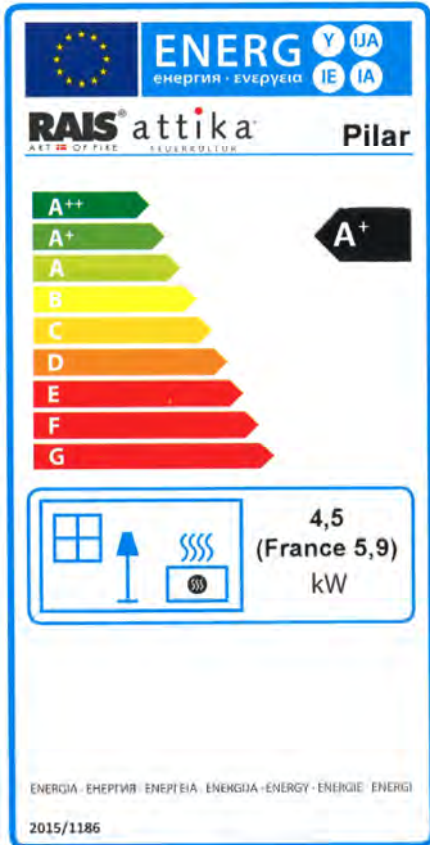


PILAR

INSTALLATIONSMANUAL (DK)
INSTALLATIONSANLEITUNG (DE)
INSTALLATION MANUAL (UK)
MANUEL D'INSTALLATION (FR)
INSTALLASJONSHÅNDBOK (NO)
INSTALLATIONSMANUAL (SE)
ASENNUSKÄSIKIRJA (FIN)
INSTALLATIE HANDLEIDING (NL)

ECO DESIGN:

ENERGY RATING: A+
ENERGY INDEX: 107



CONTENTS

Installation manual	2
In general	2
Chimney	2
Technical data	3
Specifications	3
Clean Air act	4
Dimensional sketches	6
Information plate	8
Installation	9
Delivery packaging	9
Setting up the wood-burning stove with a swivel foot	10
Removal of safety transport fittings from wood-burning stove with swivel foot	11
Disposal of packaging	11
Installation distances	12
Fitting the floor plate	14
Height adjustment	14
Fitting/changing the handle	15
Fitting the top plate	16
Removing the combustion chamber lining	17
Removing the baffle	18
External air connection - AirSystem	19
Lubricating hinges	22
ElectronicAIR	23
Accessories	29
Spare parts list	31
Test certificate	35
Performance declaration	36



INSTALLATION MANUAL

INSTALLATION MANUAL

Congratulations on the acquisition of your new RAIS or ATTIKA product! This installation manual will ensure that your wood-burning stove is installed correctly and that it will provide you with comfort and pleasure for many years to come.

IN GENERAL

It is important that the wood-burning stove is correctly installed, in consideration of the environment and people's safety.

Its installation must comply with all local rules and regulations, including those that refer to national and European standards. A certified chimney sweeper should be contacted before the installation is started.

No unauthorised alterations may be made to the wood-burning stove.

INSTALLATION REQUIREMENTS

Before the wood-burning stove may be taken into use the installation must be reported to your local chimney sweeper.

There must be the correct supply of fresh air in the installation room to ensure good combustion – if required, through an AirSystem connection. NB: Any mechanical air extraction, for example a cooker hood, can minimise the supply of air.

The wood-burning stove has an air consumption of at least 12.6 m³/h.

The space underneath the combustion chamber is not suitable for the storage of flammable material unless a reflective insulation panel is fitted!

The floor structure must be able to support the weight of the wood-burning stove and a chimney, if required. If the existing floor structure does not meet this requirement, suitable measures must be taken (e.g. installation of a load distribution plate). Seek advice from a building expert.

If the wood-burning stove is to be installed on a flammable floor, national and local regulations must be complied with, including the size of the non-flammable plate that must cover the floor in front of the wood-burning stove to protect the floor from fallen embers.

The wood-burning stove must be positioned at a safe distance

from flammable material. Due to the risk of fire, flammable items (e.g. furniture) may not be positioned closer to the front of the glass than the closest permitted distance stated in the installation section. When deciding where you shall install your RAIS/ATTIKA wood-burning stove, you should think about being able to heat other rooms in the home, so you get the most out of your new stove.

When your wood-burning stove is delivered, please check it for defects.

CHIMNEY

The chimney must be high enough to ensure that the chimney draught conditions are correct, i.e. -14 to -18 pascal. If the recommended chimney draught cannot be achieved, problems from smoke escaping from the door may arise when lighting the fire. We recommend that the chimney is adapted to suit the flue outlet spigot. The flue outlet spigot is 150 mm in diameter.

If the draught is excessive, it is recommended that you equip the chimney with a regulating damper. If a regulating damper is fitted, you must ensure that there is a free flow area of at least 20 cm² at the closed regulating damper.

Remember that there must be free access to the access door on the chimney.

Installation guide updated

Hearth

The stove must be placed on a hearth made of non-combustible board/ sheet material or tiles at least 12mm thick

TECHNICAL DATA

The following technical data includes specifications, dimensional drawings and the information plate.

SPECIFICATIONS	
Danish Technological Institute ref.:	300-ELAB-2401-EN 300-ELAB-2401-NS
Nominal output (kW):	4.5
Min./Max. Output (kW):	2-9 *
Heating area (m ²):	90
Wood-burning stove diameter x height (mm)	Ø462 X 1925
Combustion chamber W x D x H (mm)	352 X 287 X 286
Max. load limit (mm)	286
Min. Uptake (pascal)	-12
Weight (kg) min. dependent on model:	140
Efficiency (%)	81
Seasonal Efficiency (%)	71
CO emission attributed to 13% O ₂ % / mg/Nm ³	0.074
CO emission attributed to 13% O ₂ (mg/nm ³)	927
NOx emission attributed to 13% O ₂ (mg/Nm ³)	73
OGC-emission @ 13% O ₂ (mg/Nm ³):	82
Particle emission in accordance with NS3058/3059 (g/kg)	1.81
Dust measurement in accordance with EN 13240 13% O ₂ (mg/Nm ³)	12
Dust measurement in accordance with DIN + 13% O ₂ (mg/Nm ³)	9
Flue gas flow (g/s)	4.4
Flue gas temperature (°C)	254
Calculated flue gas temperature (°C) at spigot	304
Recommended amount of wood (kg) when stoking the fire (Distributed between qty. 2 logs, each max. 24 cm)	1.3
Intermittent operation	Stoking should be done within 50 minutes

*Not verified by test.

The wood-burning stove is tested and approved by:

DTI
 Danish Technological Institute
 Teknologiparken Kongsvang Allé 29
 8000 Aarhus C
 Denmark
 www.dti.dk
 Tel.: +45 72 20 20 00
 Fax: +45 72 20 10 19

THE CLEAN AIR ACT 1993 AND SMOKE CONTROL AREAS

UNDER THE CLEAN AIR ACT LOCAL AUTHORITIES MAY DECLARE THE WHOLE OR PART OF THE DISTRICT OF THE AUTHORITY TO BE A SMOKE CONTROL AREA. IT IS AN OFFENCE TO EMIT SMOKE FROM A CHIMNEY OF A BUILDING, FROM A FURNACE OR FROM ANY FIXED BOILER IF LOCATED IN A DESIGNATED SMOKE CONTROL AREA. IT IS ALSO AN OFFENCE TO ACQUIRE AN "UNAUTHORISED FUEL" FOR USE WITHIN A SMOKE CONTROL AREA UNLESS IT IS USED IN AN "EXEMPT" APPLIANCE ("EXEMPTED" FROM THE CONTROLS WHICH GENERALLY APPLY IN THE SMOKE CONTROL AREA).

IN ENGLAND APPLIANCES ARE EXEMPTED BY PUBLICATION ON A LIST BY THE SECRETARY OF STATE IN ACCORDANCE WITH CHANGES MADE TO SECTIONS 20 AND 21 OF THE CLEAN AIR ACT 1993 BY SECTION 15 OF THE DEREGULATION ACT 2015. IN SCOTLAND APPLIANCES ARE EXEMPTED BY PUBLICATION ON A LIST BY SCOTTISH MINISTERS UNDER SECTION 50 OF THE REGULATORY REFORM (SCOTLAND) ACT 2014. SIMILARLY, IN NORTHERN IRELAND APPLIANCES ARE EXEMPTED BY PUBLICATION ON A LIST BY THE DEPARTMENT OF AGRICULTURE, ENVIRONMENT AND RURAL AFFAIRS UNDER SECTION 16 OF THE ENVIRONMENTAL BETTER REGULATION ACT (NORTHERN IRELAND) 2016. IN WALES APPLIANCES ARE EXEMPTED BY REGULATIONS MADE BY WELSH MINISTERS.

THE SECRETARY OF STATE FOR ENVIRONMENT, FOOD AND RURAL AFFAIRS HAS POWERS UNDER THE ACT TO AUTHORIZE SMOKELESS FUELS OR EXEMPT APPLIANCES FOR USE IN SMOKE CONTROL AREAS IN ENGLAND. IN SCOTLAND AND WALES THIS POWER RESTS WITH THE MINISTERS IN THE DEVOLVED ADMINISTRATIONS FOR THOSE COUNTRIES. SEPARATE LEGISLATION, THE CLEAN AIR (NORTHERN IRELAND) ORDER 1981, APPLIES IN NORTHERN IRELAND. THEREFORE IT IS A REQUIREMENT THAT FUELS BURNT OR OBTAINED FOR USE IN SMOKE CONTROL AREAS HAVE BEEN "AUTHORISED" IN REGULATIONS AND THAT APPLIANCES USED TO BURN SOLID FUEL IN THOSE AREAS (OTHER THAN "AUTHORISED" FUELS) HAVE BEEN EXEMPTED BY AN ORDER MADE AND SIGNED BY THE SECRETARY OF STATE OR MINISTER IN THE DEVOLVED ADMINISTRATIONS.

THE RAIS PILLAR 19 HAS BEEN RECOMMENDED AS SUITABLE FOR USE IN SMOKE CONTROL AREAS WHEN BURNING WOOD LOGS.

FUEL OVERLOADING

THE MAXIMUM AMOUNT OF FUEL SPECIFIED IN THIS MANUAL SHOULD NOT BE EXCEEDED, OVERLOADING CAN CAUSE EXCESS SMOKE.

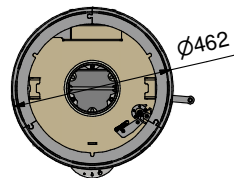
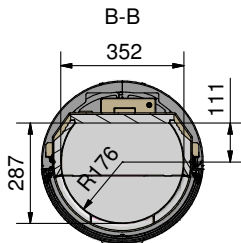
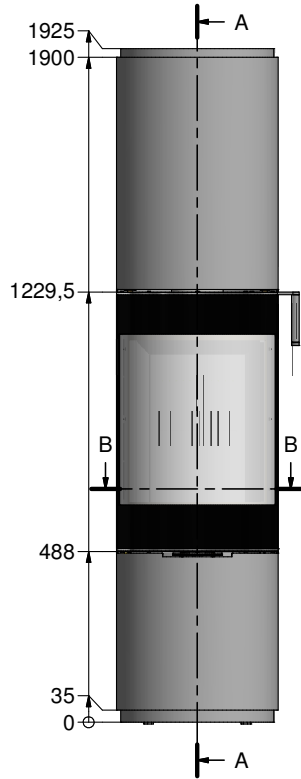
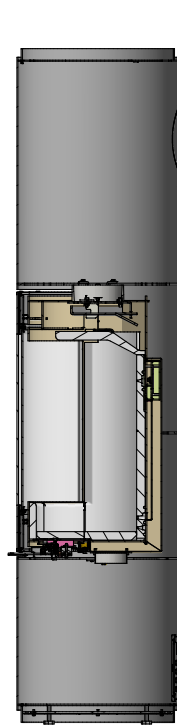
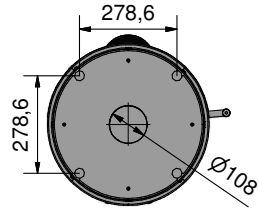
REFUELLING ON TO A LOW FIRE BED

IF THERE IS INSUFFICIENT BURNING MATERIAL IN THE FIREBED TO LIGHT A NEW FUEL CHARGE, EXCESSIVE SMOKE EMISSION CAN OCCUR. REFUELLING MUST BE CARRIED OUT ONTO A SUFFICIENT QUANTITY OF GLOWING EMBERS AND ASH THAT THE NEW FUEL CHARGE WILL IGNITE IN A REASONABLE PERIOD. IF THERE ARE TOO FEW EMBERS IN THE FIRE BED ADD SUITABLE KINDLING TO PREVENT EXCESS SMOKE.

DAMPERS LEFT OPEN

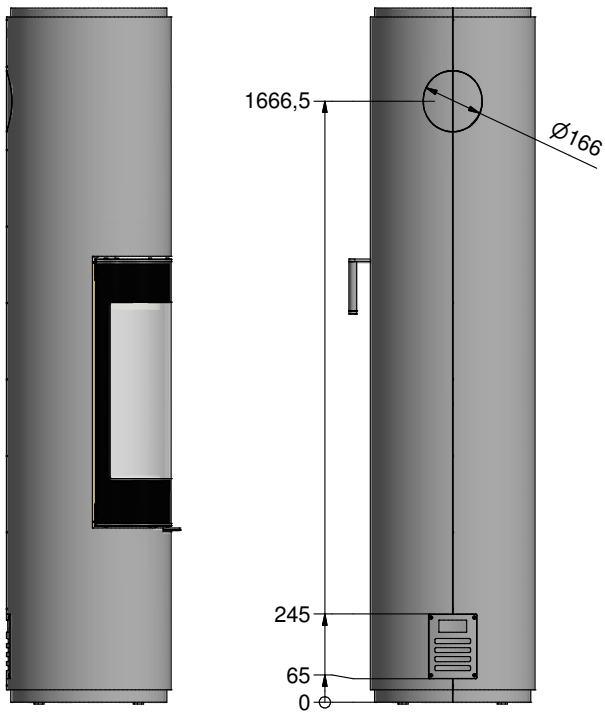
OPERATION WITH THE AIR CONTROL OR APPLIANCE DAMPERS OPEN CAN CAUSE EXCESS SMOKE. THE APPLIANCE MUST NOT BE OPERATED WITH AIR CONTROLS, APPLIANCE DAMPERS OR DOOR LEFT OPEN EXCEPT AS DIRECTED IN THE INSTRUCTIONS.

DIMENSIONAL SKETCHES



All dimensions are in mm.

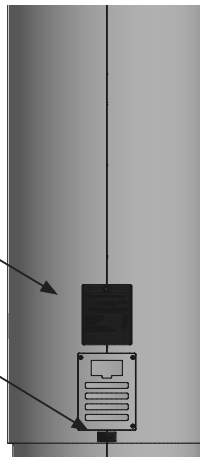
DIMENSIONAL SKETCHES





INFORMATION PLATE

All RAIS/ATTIKA wood-burning stoves have an information plate which states the stove's distance from flammable materials, efficiency, etc. The information plate is laid loose with the stove on delivery. We recommend that you fit the information plate on the rear of the wood-burning stove (see drawing on right).

The production number is positioned on the rear of the wood-burning stove.



Information plate:

19			
EN 13240:2001+A2:2004, EC.NO:16 Notified Body: 1235			
Produced at: RAIS A/S, Industrivej 20, 9900 Frederikshavn, Danmark			
Pilar - Manual / Pilar - Clever Air / Pilar Classic - Manual / Pilar Classic - Clever Air Pilar - Manual BJO / Pilar - Clever Air BJO / Pilar Classic - Manual BJO / Pilar Classic - Clever Air BJO Pilar - ElectronicAIR™ / Pilar Classic - ElectronicAIR™ Pilar - ElectronicAIR™ BJO / Pilar Classic - ElectronicAIR™ BJO			
AFSTAND TIL BRÆNDBART, BAGVEG ABSTAND ZU BRENNBAAREN BAUTEILEN, HINTEN DISTANCE TO COMBUSTIBLE BACK WALL DIST. ENTRE COMPOSANTS COMBUSTIBLES, ARRIÈRE	DK: 100mm SE BRUGERVEJLEDNING DE: 100mm SIEHE BEDIENUNGSANLEITUNG UK: 100mm SEE USER MANUAL FR: 100mm CONSULTEZ LE GUIDE DE L'UTILISATEUR		
AFSTAND TIL BRÆNDBART, SIDEVEG ABSTAND ZU BRENNBAAREN BAUTEILEN, SEITE DISTANCE TO COMBUSTIBLE SIDE WALL DISTANCE ENTRE COMPOSANTS COMBUSTIBLES, CÔTÉ	DK: 500mm SE BRUGERVEJLEDNING DE: 500mm SIEHE BEDIENUNGSANLEITUNG UK: 500mm SEE USER MANUAL FR: 500mm CONSULTEZ LE GUIDE DE L'UTILISATEUR		
AFSTAND TIL BRÆNDBART, MØBLERING ABSTAND VORNE ZU BRENNBAAREN MÖBELN DISTANCE TO FURNITURE AT THE FRONT DISTANCE ENTRE COMPOSANTS COMBUSTIBLES, DEVANT	DK: 850mm SE BRUGERVEJLEDNING DE: 850mm SIEHE BEDIENUNGSANLEITUNG UK: 850mm SEE USER MANUAL FR: 850mm CONSULTEZ LE GUIDE DE L'UTILISATEUR		
CO EMISSION (REL. 13% O ₂) CO EMISSION IN DEN VERBRENNUNGSPRODUKTEN (BEI 13%O ₂) EMISSION OF CO IN COMBUSTION PRODUCTS (AT 13%O ₂) EMISSION CO DANS LES PRODUITS COMBUSTIBLES (À 13%O ₂)	0,074 % / 927 mg/Nm³		
STØV / STAUB / DUST / POUSSIÈRES: RØGGASTEMPERATUR / ASGASTEMPERATUR / FLUE GAS TEMPERATURE / TEMPÉRATURE DES GAZ DE FUMÉE:	9 mg/Nm³ 254 °C		
NOMINEL EFFERT / HEIÐLEISTUNG / THERMAL OUTPUT / PUISSANCE CALORIFIQUE:	4,5 kW (France 5,9kW)		
VIKKNINGSGRAD / ENERGIEFFIZIENZ / ENERGY EFFICIENCY / EFFICACITÉ ÉNERGÉTIQUE:	81 %		
DK: Brug kun anbefalede brændsler. Følg instrukserne i bruger manualen. Anordningen er egnet til regasammeledning og intervalfyldning. DE: Lesen und befolgen Sie die Bedienungsanleitung. Zeitbrandfeuerstätte. Nur empfohlene Brennstoffe einsetzen. UK: Fuel types (only recommended): Follow the installation and operating instruction manual. Intermittent operation. F: Veuillez lire et observer les instructions du mode d'emploi. Foyer à durée de combustion limitée, homologué pour cheminée à connexions multiples. Utiliser seulement les combustibles recommandés.	DK: BRÆNDE	DE: HOLZ	UK: WOOD
	FR: BOIS		
Not to be used in a shared flue		Raumheizer für feste Brennstoffe Appliance fired by wood Poêle pour combustibles solides	
15a B-VG	Produced for: ATTIKA FEUER AG, Brunnmatt 16, CH-6330 Cham / RAIS A/S, Industrivej 20, DK-9900 Frederikshavn		

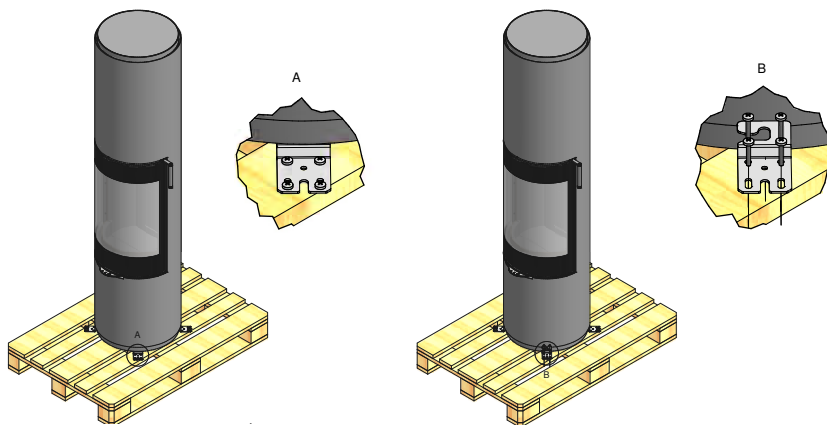
INSTALLATION

The following section explains how to install the wood-burning stove and includes information about the packaging, installation distances, etc.

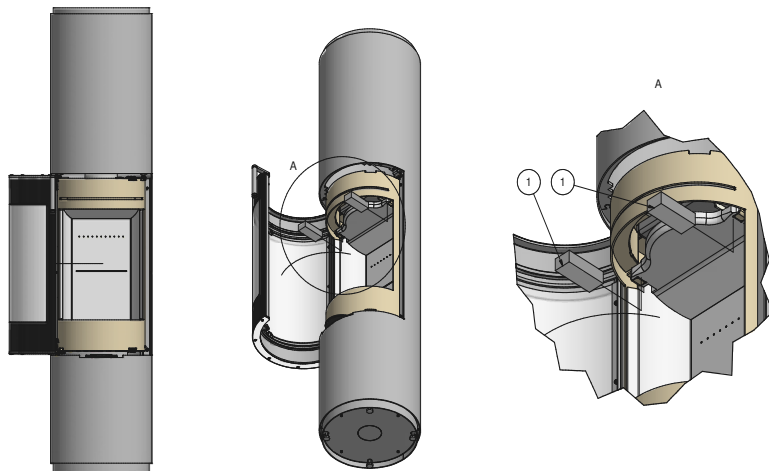
DELIVERY PACKAGING

The wood-burning stove is supplied secured to a transport pallet using four transport safety fittings – one in each corner (A).

The safety fittings are secured using screws and these must be removed. The safety fittings can then be removed (B).



The top of the wood-burning stove has two polystyrene blocks (1), which are there to protect the combustion chamber lining during transport. These must be removed before starting a fire in the stove.

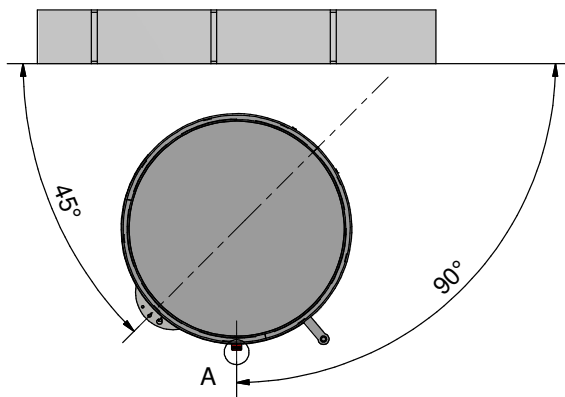


WOOD-BURNING STOVE WITH SWIVEL FOOT INSTALLATION

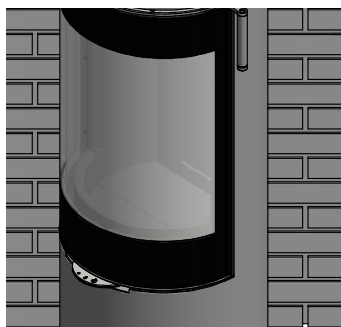
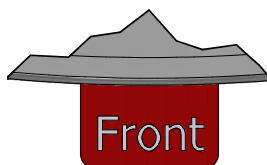
WOOD-BURNING STOVE WITH SWIVEL FOOT INSTALLATION

The wood-burning stove can be supplied with a swivel foot. To make installation easier, the wood-burning stove is delivered turned 45° to the left.

This ensures easier access to the transport screws, which must be removed when setting up.



The plastic block marked "FRONT" represents the wood-burning stove's actual midpoint and sits in the front of the swivel foot. The block must therefore be at 90° in relation to the wall when setting up. The block shall subsequently be removed by carefully pulling it out.



Once the wood-burning stove is in position, the transport fittings can be removed. The swivel foot can now move.

Front block.

Air intake cover.

REMOVAL OF SAFETY TRANSPORT FITTINGS FROM A WOOD-BURNING STOVE WITH A SWIVEL FOOT

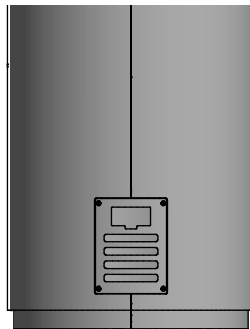
REMOVAL OF SAFETY TRANSPORT FITTINGS FROM A WOOD-BURNING STOVE WITH A SWIVEL FOOT

The swivel foot is fitted below the wood-burning stove and locked during transport using two wing screws. See below for how to remove these.

The swivel foot setting options:

- to turn 90° (45° on each side) - (set to this on delivery)
- to turn 360°

Remove the cover on the rear of the wood-burning stove in order to remove the screws.



The swivel foot lock (spring) can be tightened by loosening the screw for the adjustment fitting and moving the fitting to the plus mark. Remember to re-tighten the screw.

For swivel foot setting 360°: Remove the stop screw. The wood-burning stove can now turn freely.

Remove the two wing screws. The wood-burning stove can now turn 45° in either direction.



DISPOSAL OF PACKAGING

RECYCLING

The wood-burning stove is delivered in packaging that can be recycled.

This packaging must be disposed of in accordance with national regulations relating to the disposal of waste.

The glass cannot be recycled.

The glass must be disposed of along with any ceramics or porcelain waste. Heat-resistant glass has a higher melting point and therefore cannot be recycled.

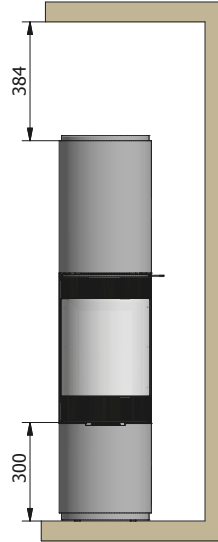
By ensuring heat-resistant glass does not end up alongside recyclable products you are making an important contribution to the environment.

INSTALLATION DISTANCES

INSTALLATION DISTANCES

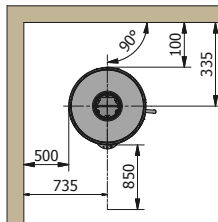
The relevant installation distances for Pilar are shown below.
All dimensions are in mm.

The installation distance to a flammable ceiling

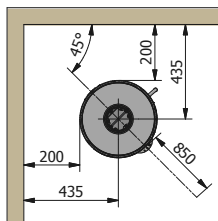


The installation distance, flammable - uninsulated flue

Right-angle installation



Corner installation

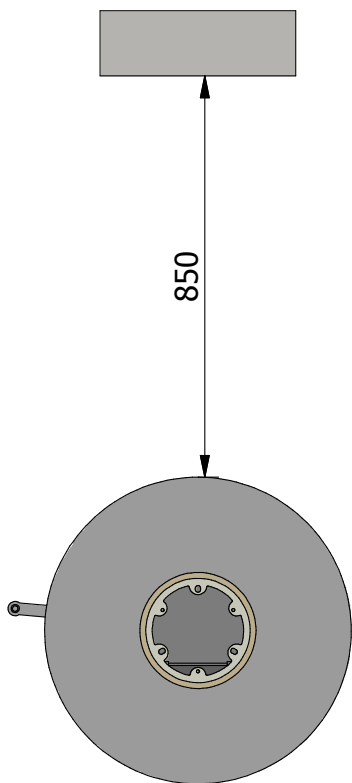


INSTALLATION DISTANCES - WOOD-BURNING STOVE WITH SWIVEL FOOT

INSTALLATION DISTANCES - WOOD-BURNING STOVE WITH SWIVEL FOOT

If your wood-burning stove has a swivel foot, the installation distances to flammable walls must be increased. The distances that apply are shown below.

360° Installation



FITTING THE FLOOR PLATE, HEIGHT ADJUSTMENT

FITTING THE FLOOR PLATE

RAIS/ATTIKA supply elegant floor plates made from hardened glass that are designed for the shape of the wood-burning stove. Floor plates can be purchased separately. The floor plate is pushed in against the stove, which allows for occasional cleaning under the plate.

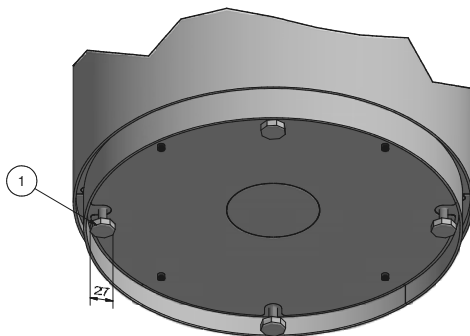


HEIGHT ADJUSTMENT

The wood-burning stove is equipped with four adjustment screws (1) below the stove.

Use the adjustment screws to ensure the wood-burning stove stands level.

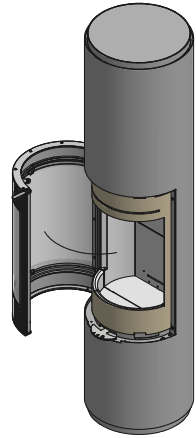
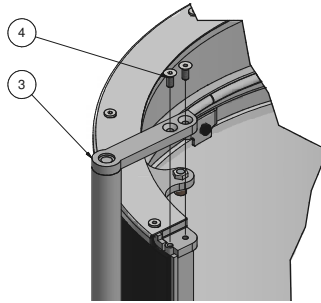
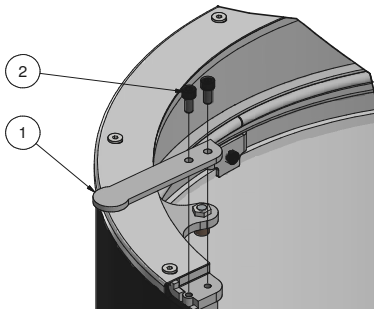
Use a 27 mm wrench to turn the adjustment screws.



FITTING THE HANDLE

FITTING/CHANGING THE HANDLE

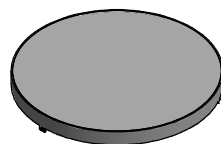
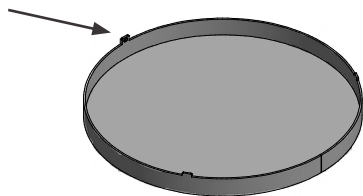
The wood-burning stove is delivered with a fitted temporary handle (1). To remove it, unscrew the screws (2) all the way out. The new handle (3) can now be fitted to the stove using the screws (4).



FITTING THE TOP PLATE

FITTING THE TOP PLATE

The top plate has three catches. These must engage with the slits in the top of the wood-burning stove.



REMOVING THE COMBUSTION CHAMBER LINING

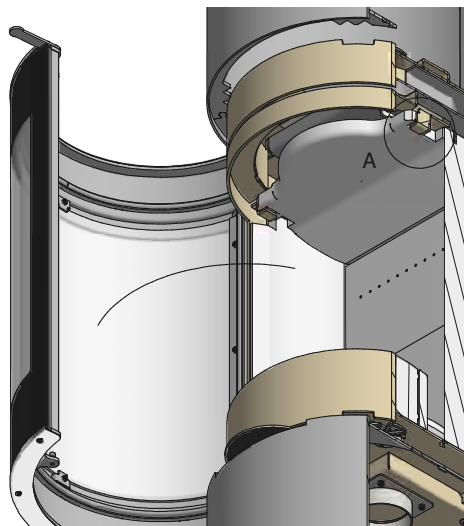
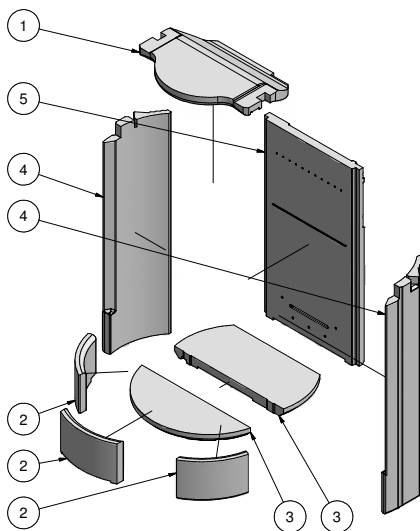
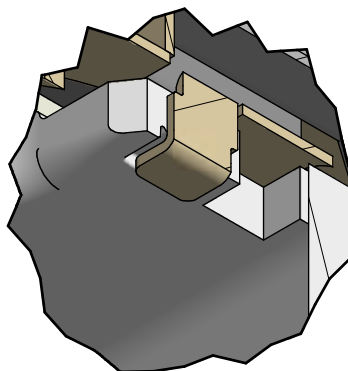
REMOVING THE COMBUSTION CHAMBER LINING

Procedure to remove the combustion chamber lining:

1. Push the flue plate (1) up until it becomes free of the fitting. It can now be pulled forward and down past the fitting.
2. Lift up the front combustion chamber lining (2) and remove.
3. Lift up the bottom combustion chamber lining (3).
4. Remove the side combustion chamber lining (4) by turning them inwards at the front until they become loose. They can now be removed.
5. Finally, remove the rear combustion chamber lining (5).

When it is time to re-fit the combustion chamber lining, repeat the above procedure in reverse order.

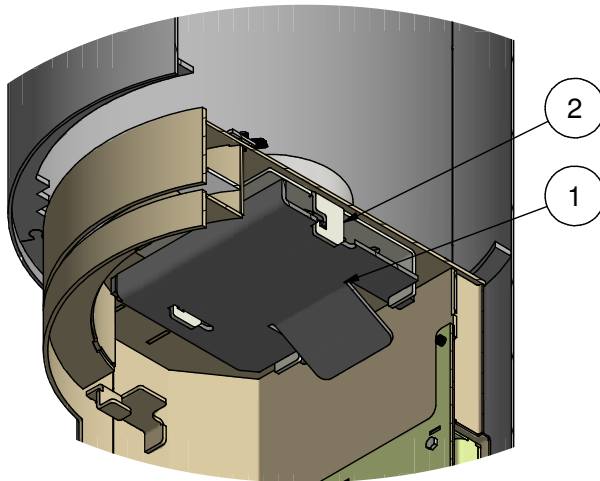
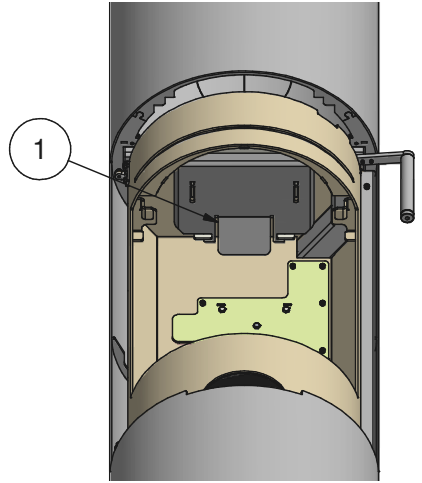
A



REMOVING THE BAFFLE

REMOVING THE BAFFLE

First remove the flue plate (see the section about removing the combustion chamber lining).
Remove the baffle (1) by lifting it up until it is free of the fitting (2). It can then be pulled out of the wood-burning stove.



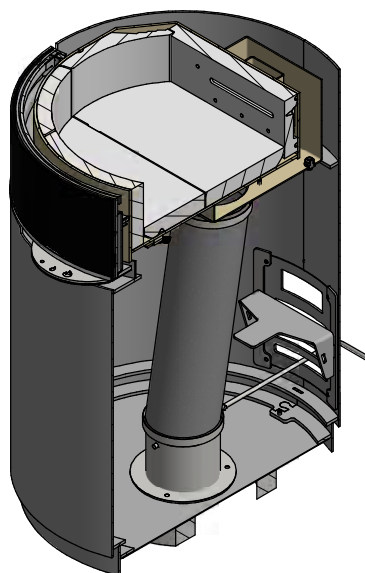
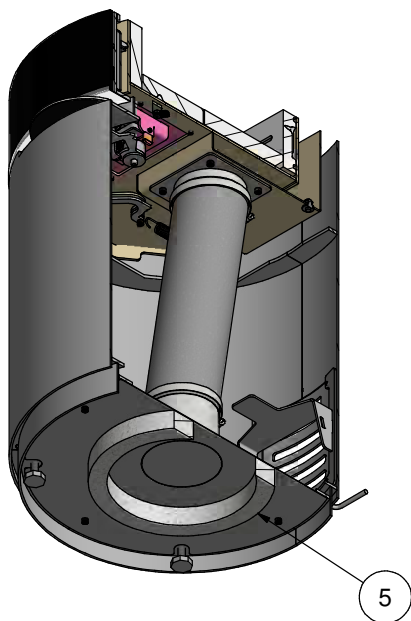
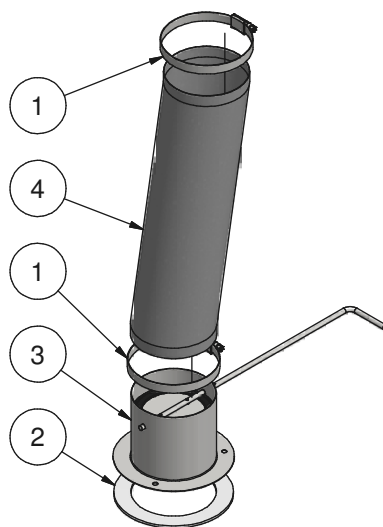
EXTERNAL AIR CONNECTION - AIRSYSTEM

EXTERNAL AIR CONNECTION - AIRSYSTEM

All RAIS/ATTIKA wood-burning stoves can have an external air connection. We call this external air supply AirSystem. The air intake to the system can be hidden by installing it either in the floor or in the wall behind the wood-burning stove.

AIR CONNECTION THROUGH THE FLOOR

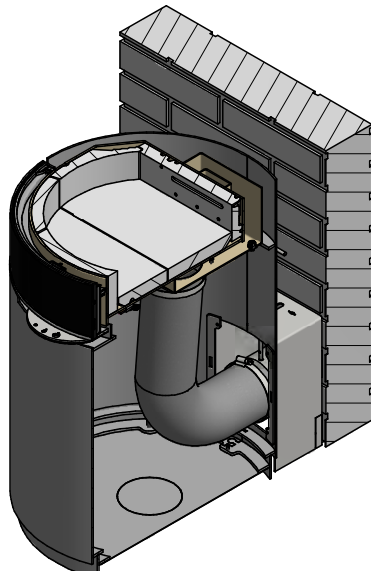
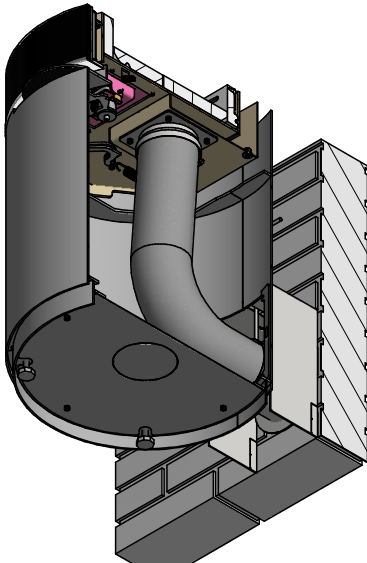
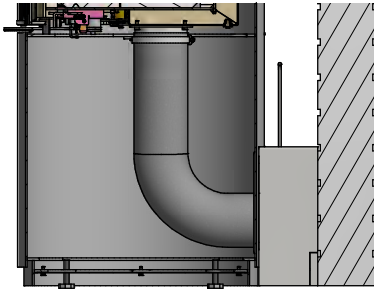
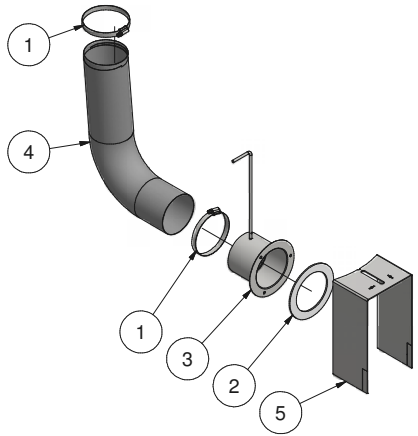
1. Place the foam rubber ring (5) below the wood-burning stove and centre in the hole in the bottom of the stove.
2. Tap out the cover in the bottom of the wood-burning stove using a hammer.
3. Stick the air valve (3) in the bottom of the wood-burning stove using the gasket (2) between the stove and air valve.
4. Fit the flexible hose (4) on the spigot in the bottom of the combustion chamber and air valve (3), and tighten using the hose clamps (1).



EXTERNAL AIR CONNECTION - AIRSYSTEM

AIR CONNECTION THROUGH WALL

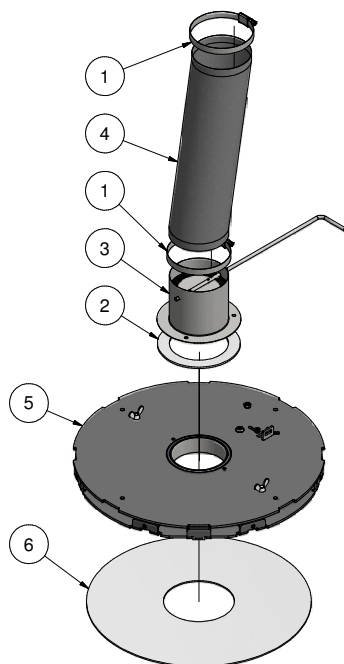
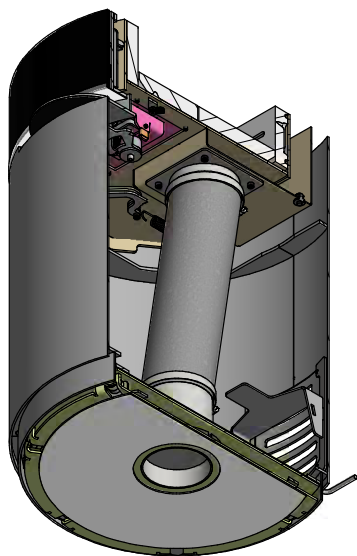
1. Remove the cover behind the stove.
2. Fit the air valve (3) on the wall using the gasket (2) between the wall and air valve.
3. Fit the cover (5) over the air valve.
4. Fit the flexible hose (4) on the spigot on the combustion chamber and air valve (3), and tighten using the hose clamps (1).



EXTERNAL AIR CONNECTION - AIRSYSTEM

AIR CONNECTION THROUGH FLOOR WITH SWIVEL FOOT

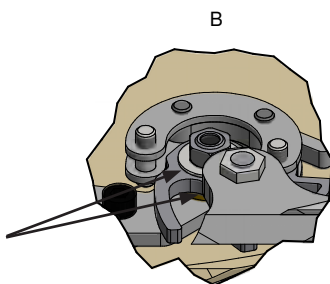
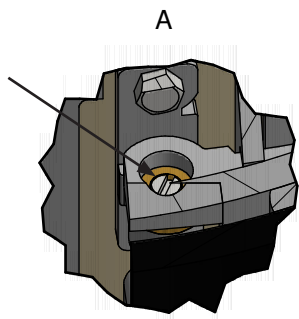
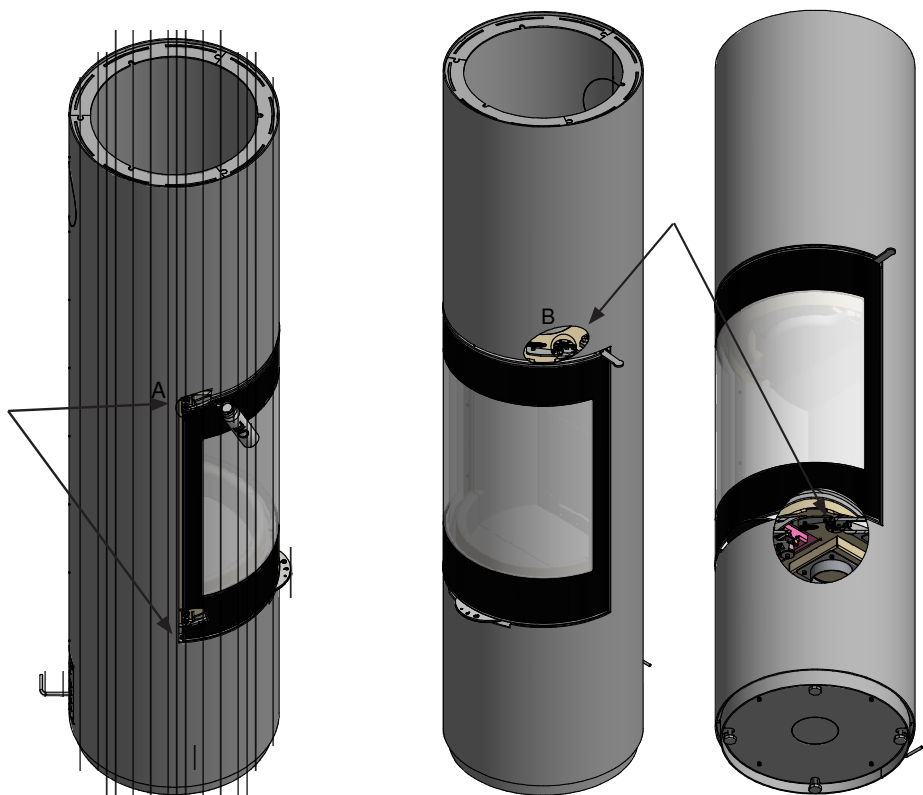
1. Position the gasket (6) on the floor under the swivel foot (5). If required, it can be stuck securely to the underlying surface.
2. Fit the air valve (3) in the bottom of the wood-burning stove using the gasket (2) between the stove and air valve.
3. Fit the flexible hose (4) on the spigot on the combustion chamber and air valve (3), and tighten using the hose clamps (1).



LUBRICATING HINGES

LUBRICATING HINGES

The wood-burning stove must be lubricated regularly using the four moving parts on the lock and hinges (see image). Use heat-resistant oil.



ELECTRONICAIR

ElectronicAIR is an electronic system that is programmed to regulate the combustion air in the wood-burning stove. Two thermocouples constantly communicate with the receiver and remote control. Based on this communication, the damper opens or closes automatically to ensure the optimal combustion during the start-up and continuous burning. The LED indicates when the wood-burning stove automatically changes the damper's position.

When the wood-burning stove is not in use, the damper is fully closed. When the door is opened, the door switch ensures that the damper is fully open to create extra air when starting the fire and when stoking the fire.

If the batteries in the receiver or remote control become flat, the wood-burning stove will continue to function. But the wood-burning stove damper will always be fully open.

If you wish to manually regulate the damper and thus the supply of air, then set the remote control to manual.

Follow these instructions to use ElectronicAIR.

START-UP

We recommend that only alkaline batteries or equivalent high-quality batteries are used. The batteries should be replaced before using the wood-burning stove for the first in the year. Do not use a pointed item to remove old batteries.

Remote control

Use qty. 2 AAA batteries for the remote control.



Remote control

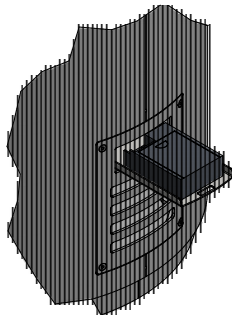
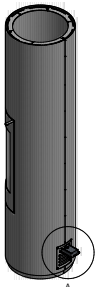
Receiver

Use qty. 4 AA batteries for the receiver.

The receiver is positioned in the opening behind the wood-burning stove. Pull out the tray with the receiver to gain access to the batteries (see drawing).

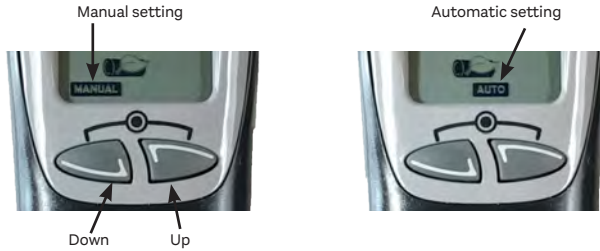


Receiver



INSERTING BATTERIES IN THE REMOTE CONTROL

1. First, insert new batteries in the remote control.
2. The remote control must be in the manual setting for the remote control and the receiver to synchronise. If the remote control is in the automatic setting, set it to manual by briefly pushing the 'up' and 'down' buttons at the same time.



SYNCHRONISATION OF THE REMOTE CONTROL AND RECEIVER

The remote control must now be synchronised using the wood-burning stove receiver. Procedure to synchronise the remote control and receiver:

1. Insert batteries in the receiver.
2. The LED light in the front of the wood-burning stove should flash yellow and then light green. This means that the damper is operating a start-up reference test. You may also hear a 'click' sound, which is completely normal. This process may take up to two minutes.
3. After the test is finished, the LED light will flash red for 20 seconds. During this time, the remote control and receiver are synchronised*. First, press the 'up' button and then press the 'down' button.
4. The LED light will briefly light green when the synchronisation is complete and then go out.

NB: Whenever the batteries are changed in the receiver, synchronisation must be repeated.

*If you did not manage to synchronise the remote control and the receiver during this time, remove the batteries and then put them back. You can then repeat the synchronisation process.

SETTING THE REMOTE CONTROL

The remote control can be set to display the time, temperature, etc.

To enter the manual setting menu, press the 'up' button and 'down' button at the same time for about five seconds, until the display changes.



NB:

- To change the setting, press the 'up' button (the button on the right) will change the setting.
- To move to the next menu, press the 'down' button (the button on the left).
- Move to the next menu within 15 seconds.
- After 15 seconds of inactivity, the programming menu will be exited.
- Settings are saved automatically.

Menu 1:

Select whether you want to display the temperature in degrees Fahrenheit or degrees Celsius.

The figure states the room temperature.



Menu 2:

Select whether you want to display the time in 24-hour or 12-hour format.



Menu 3:
Set the time.
First select the hours.



Menu 4:
Next, select the minutes.



Menu 5:
Activate or de-activate the child lock.



Menu 6:
Settings for type of fuel: 00 wood or 01 coal.
It is very important that this setting is set to 00 (wood).



00 Setting for wood



01 Setting for coal

When you have finished with the six settings, you must wait 15 seconds for the settings to be saved and the settings menu to be exited.

USE OF WOOD-BURNING STOVE WITH ELECTRONICAIR

After the remote control is synchronised and set, the wood-burning stove can be used. The wood-burning stove can be used with automatic or manual operation.

AUTOMATIC OPERATION

If you want the damper on the wood-burning stove to be regulated automatically, you can use the remote control to set the stove to automatic operation. Follow this guide showing how to operate a wood-burning stove with ElectronicAIR that is in automatic operation mode.

1. First, you must ensure that the wood-burning stove has been set to automatic operation. To switch to automatic operation, briefly press the 'up' button and 'down' button at the same time. "Auto" is shown in the display.
2. Light the fire in the wood-burning stove. If required, read the section "Starting the fire correctly" in the user manual.
3. Let the door stay slightly open for approximately five minutes. Next, close the door.
4. Once there is a good layer of embers, place two logs on the fire.
5. ElectronicAIR regulates the actual combustion air during burning.

MANUAL OPERATION

If you wish to personally regulate the wood-burning stove, you can use the remote control to set the stove to manual operation. Follow this guide showing how to operate a wood-burning stove with ElectronicAIR that is in manual operation mode.

1. First, you must ensure that the wood-burning stove has been set to manual operation. To switch to manual operation, briefly press the 'up' button and 'down' button at the same time. "Manual" is shown in the display.
2. Light the fire in the wood-burning stove. If required, read the section "Starting the fire correctly" in the user manual.
3. Let the door stay slightly open for approximately five minutes. Next, close the door.
4. Once there is a good layer of embers, place two logs on the fire.
5. Open and close the damper by using the two arrows on the remote control.

NB! The LED light on the front of the wood-burning stove lights green when you open and close the door and the damper automatically regulates up or down. In addition, the LED light lights briefly when you press the buttons on the remote control.

If the LED light lights red or yellow, then please refer to the troubleshooting section below .

TROUBLESHOOTING

The table below lists the most frequent causes of why the LED light is lit red or yellow.

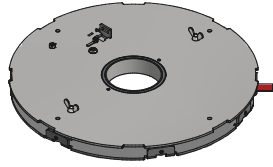
LED light	Cause	Solution
The LED light flashes yellow twice a minute.	Warning: Low battery power in the receiver.	Replace the batteries in the receiver.
LED light is constantly lit red.	Fault: The receiver has no power. In this situation, the damper opens completely and stays open until the batteries are replaced.	Replace the batteries in the receiver.
The LED light flashes yellow three times a minute.	Warning: The door is open and the sensor indicates the temperature is over 50° C.	Close the door to the wood-burning stove.

ACCESSORIES

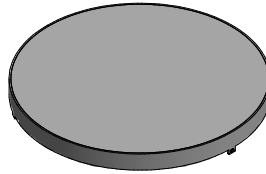
ACCESSORIES

(XX) Variable colour code

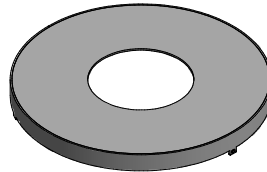
16-0000-1501 - Swivel foot



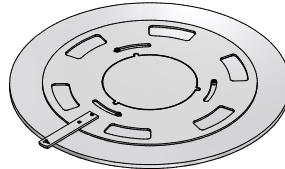
16-0000-0601XX - Upper top plate B/O
(rear outlet)



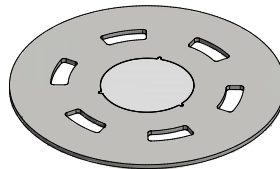
16-0000-0602XX - Upper top plate T/O
(top outlet)



16-0000-0603 - Stainless steel top plate
with convection damper
(stainless steel)

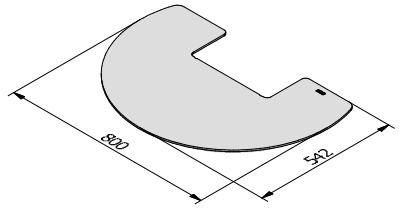


2710613XX - Convection top plate

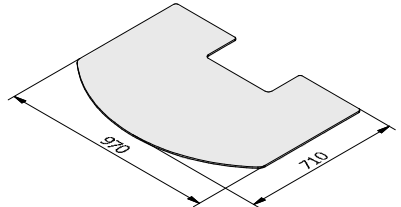


ACCESSORIES

2714920 - Glass floor plate (800 x 542 mm)



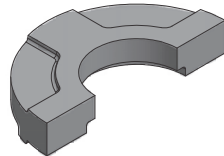
2714923 - Glass floor plate (970 x 710 mm)



8131390 - Swivel adaptor



99-MODULWS - 6 kg
Thermal storage stone



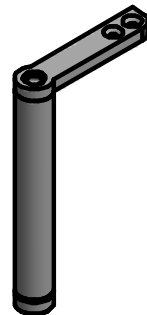
16-0000-1101
1. Handle - Stainless Steel

16-0000-1102
2. Handle - Corian White

16-0000-1103
3. Handle - Brown Leather

16-0000-1104
4. Handle - Black Oak

16-0000-1106
6. Handle - Black Leather



SPARE PARTS LIST

SPARE PARTS LIST - MANUAL AND CLEVER AIR

Below is an overview of spare parts.

If spare parts other than those recommended by RAIS/ATTIKA are used, the warranty is rendered void. All replaceable parts can be purchased as spare parts from your RAIS/ATTIKA dealer.

See the spare parts list below and spare parts drawing on the next page.

xx: Optional colour code

POS.	TOTAL	ITEM NO.	DESCRIPTION
1	1	16-0000-100190	Glass door
2	1	16-0000-1002XX	Classic glass door
3	1	16-0000-0601XX	Top plate for rear outlet
4	1	16-0000-0602XX	Top plate for top outlet
5	1	16-0000-0603	Top plate with convection damper
6	1	2710613XX	Top with convection
7	1	61-00	Flue outlet spigot 6"
8	1	16-0000-2202	Skamol set
9	1	16-0000-5502	Gasket set for glass door
10	1	16-0000-5503	Gasket set for classic glass door
11	1	16-0000-180190	Closing mechanism - Top
12	1	16-0000-180290	Closing mechanism - Bottom
13	1	7301026	Ba1 Spring
14	1	1710924	Wire for damper
15	1	1710990	Damper - CleverAir
16	1	1711790	Damper - Manual

SPARE PARTS LIST

SPARE PARTS LIST - ELECTRONICAIR

Below is an overview of spare parts.

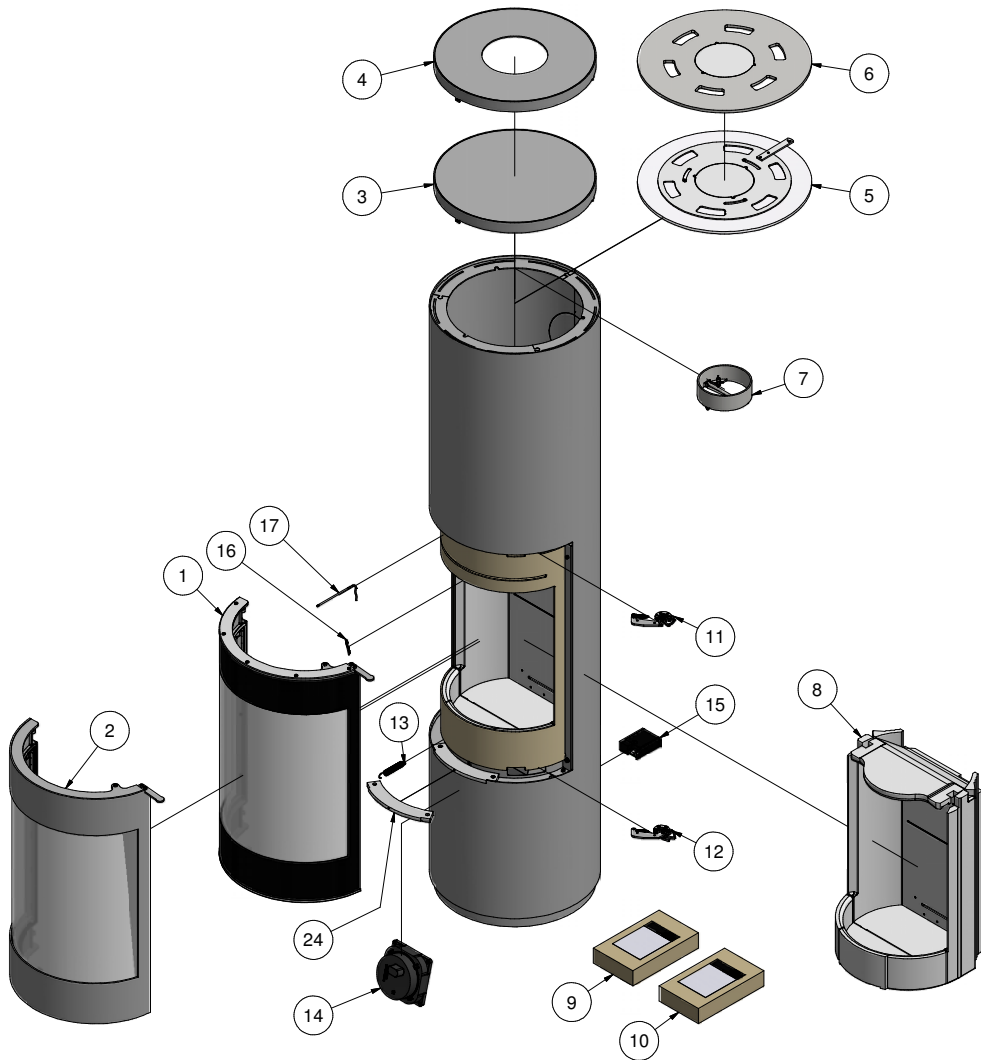
If spare parts other than those recommended by RAIS/ATTIKA are used, the warranty is rendered void. All replaceable parts can be purchased as spare parts from your RAIS/ATTIKA dealer.

See the spare parts list below and spare parts drawing on the next page.

xx: Optional colour code

POS.	TOTAL	ITEM NO.	DESCRIPTION
1	1	16-0000-100190	Glass door
2	1	16-0000-1002XX	Classic glass door
3	1	16-0000-0601XX	Top plate for rear outlet
4	1	16-0000-0602XX	Top plate for top outlet
5	1	16-0000-0603	Top plate with convection damper
6	1	2710613XX	Top with convection
7	1	61-00	Flue outlet spigot 6"
8	1	16-0000-2201	Skamol set
9	1	16-0000-5502	Gasket set for glass door
10	1	16-0000-5503	Gasket set for classic glass door
11	1	16-0000-180190	Closing mechanism - Top
12	1	16-0000-180290	Closing mechanism - Bottom
13	1	7301026	Ba1 Spring
14	1	16-0000-070301	Electronic damper
15	1	16-0000-070302	Receiver R300
16	1	16-0000-070303	Surface sensor
17	1	16-0000-070304	Flue gas detector
	1	16-0000-070305	Door switch
	1	16-0000-070306	Electrical cable
	1	16-0000-070307	LED light
	1	16-0000-070308	Remote control

SPARE PARTS DRAWING



GB

DECLARATION OF PERFORMANCE

DECLARATION OF PERFORMANCE



UK DECLARATION OF PERFORMANCE

Regulation (EU) 305/2011 No. 0001 — CPR-2013/07/01

No.: 16

- | | |
|---|---|
| <p>1. Unique identification code of the product-type</p> <p>2. Type</p> <p>3. Intended use</p> <p>4. Manufacturer</p> <p>5. Authorised representative</p> <p>6. System of assessment AVCP</p> <p>7. Notified body</p> | <p>Pilar - Manual / Pilar - Clever Air / Pilar Classic - Manual / Pilar Classic - Clever Air
Pilar - Manual B/O / Pilar - Clever Air B/O / Pilar Classic - Manual B/O / Pilar Classic - Clever Air B/O
Pilar - ElectronicAIR™ / Pilar Classic - ElectronicAIR™
Pilar - ElectronicAIR™ B/O / Pilar Classic - ElectronicAIR™ B/O
Room heater burning solid fuel without hot water supply</p> <p>Domestic room heater</p> <p>RAIS A/S
Industrivej 20, Vangen,
DK-9900 Frederikshavn,
Denmark</p> <p>Telephone +45 98 47 90 33
Telefax +45 98 47 92 81
Webmail kundeservice@rais.dk
Homepage www.rais.com</p> <p>n/a</p> <p>System 3</p> <p>The notified laboratory Danish Technological Institute - Identification no. 1235 Teknologiparken
Kongsvang Allé 29, DK-8000 Århus C</p> |
|---|---|

performed (the determination of the product type on the basis of type testing under system 3 and issued test report

a. 300-ELAB-2401-EN

8. Declared performance Harmonized technical specification: EN 13240:2003/A2:2004

Essential characteristics		Performance
Fire safety		Pilar 19
Reaction to fire	A1	
Distance to combustible materials Minimum distances (mm) For other installation or wall settings see instruction manual	rear	100 mm
	sides	500 mm
	ceiling	
	Front	850 mm
Risk of burning fuel falling out	Pass	
OGC (mg/Nm ³ rel. 13 Vol-% O ₂)	B2	
CO-emission of combustion products	0,074 % (B27 mg/Nm ³)	
NO _x (mg/Nm ³ rel. 13 Vol-% O ₂)	73	
Dust at (rel. 13 Vol-% O ₂)	9 mg/Nm ³	
Surface temperature	Pass	
Electrical safety	NPD	
Cleanability	Pass	
Maximum operating pressure	- bar	
Flue gas temperature T at nominal heat output	254° C	
Mechanical resistance (to carry a chimney/flue)	NPD	
Thermal output		
Nominal heat output	4,5 kW	
Room heating output	4,5 kW	
Water heating output	- kW	
Energy efficiency η	81 %	
Seasonal Efficiency $\eta_{S, on}$	71 %	

9. The performance of the product identified in points 1 and 2 is in conformity with the declared performance in point 8. This declaration of performance is issued under the sole responsibility of the manufacturer identified in point 4.

Signed for and on behalf of the manufacturer by:

John Engell Nielsen, R&D / Quality Manager

Place FREDERIKSHAVN, DENMARK

Date 31-03-2022


Signature



RAIS[®]
ART  OF FIRE

RAIS A/S
Industrivej 20
DK-9900 Frederikshavn
Denmark
www.rais.com

attika
FEUERKULTUR

ATTIKA FEUER AG
Brunnmatt 16
CH-6330 Cham
Switzerland
www.attika.ch