

Q-TEE II C SST

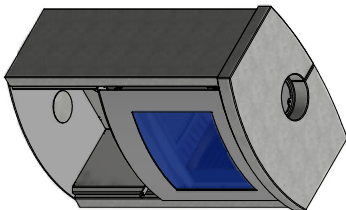
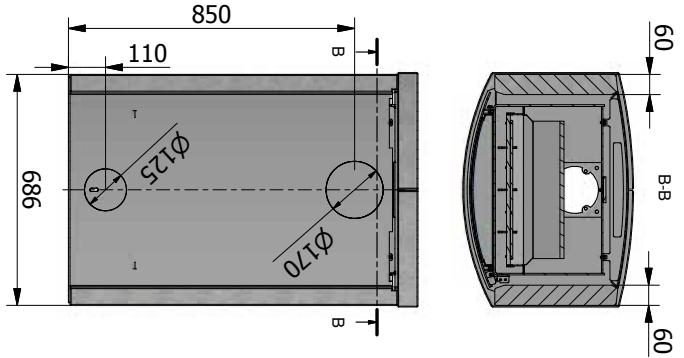
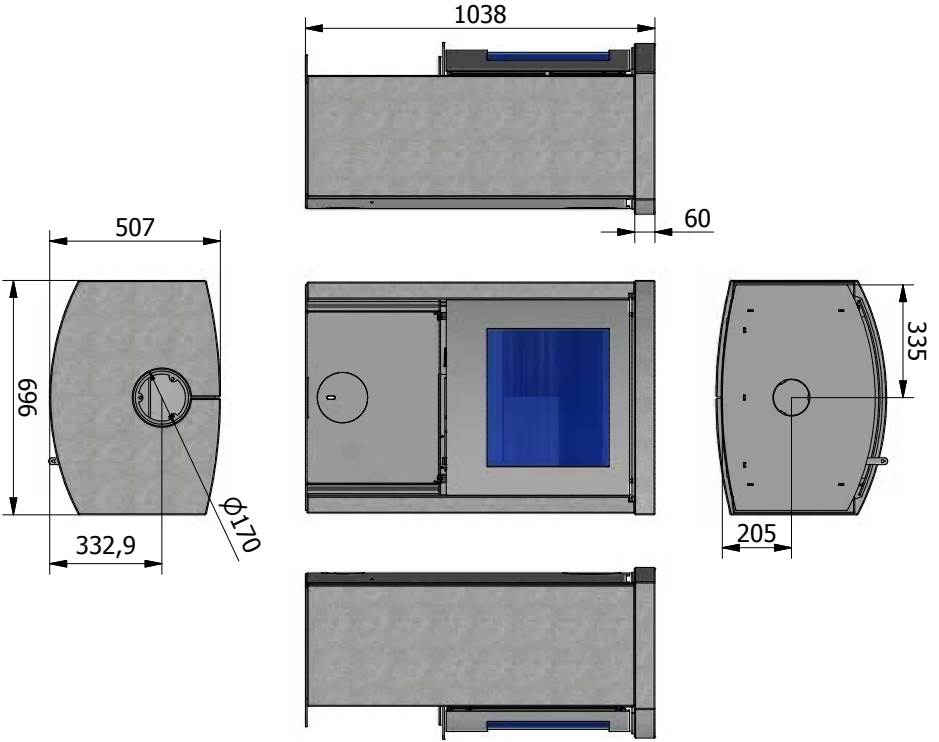


Montage af Fedtsten
Montage von Speckstein
Mounting the soapstone
Montage de stéatite
Montering av kleberstein
Montering av tvålsten
Vuolukivin asennus
Montage van speksteen

CONTENTS

Dimensional drawings	4
Mounting the soapstone	5
Installation of firewood hopper cover	7

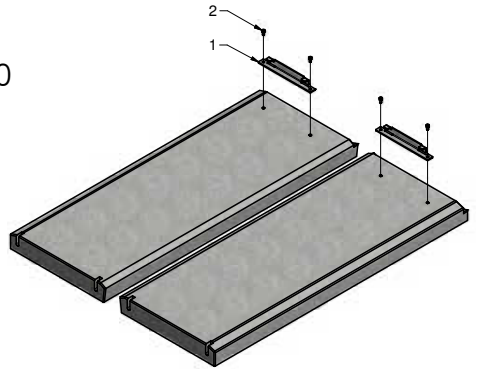
Dimensional drawing



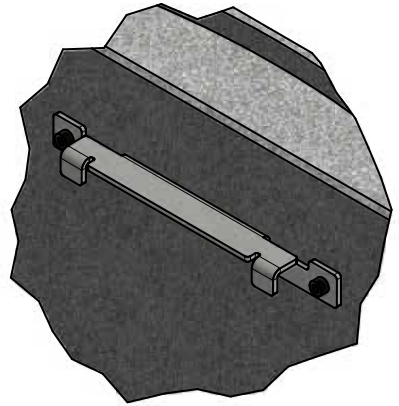
		Project:	Project manager / Approved:
INDUSTRIEL 20, 9900 FREDERIKSHAVN DENMARK Phone +45 98 81 33 FAX +45 98 47 32 51 E-mail: info@rais.dk / tekniske@rais.dk		RAIS/ky	Project manager / Approved:
Drawing name: Q-TIEE C SST		29.01.2020	ky
Project:	Established:	Formal:	Revision:
Q-Tiee II C SST	16-10-2016	A3	—
Drawing no.: 8336550		Conditions:	

Mounting of Soapstone

1. Attach the fastener brackets (1) to the side stones using the four M5 x 10 bolts (2).

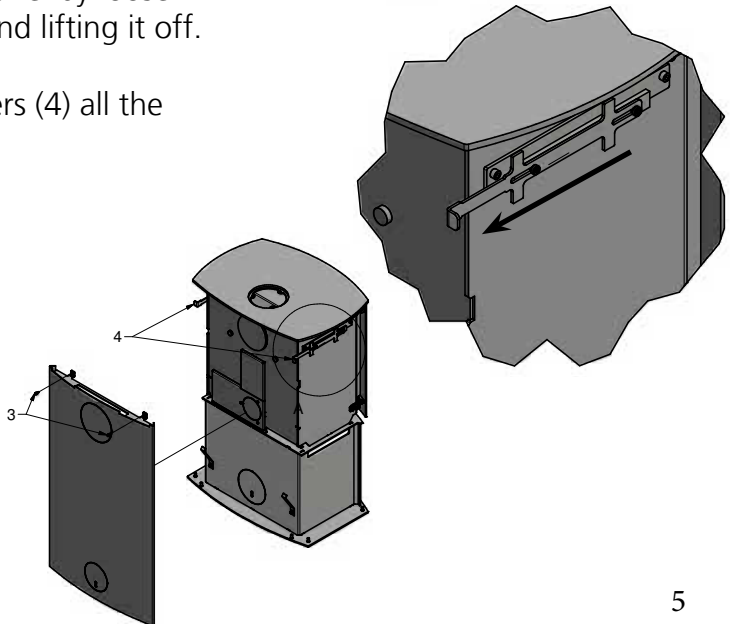


2. Position the fasteners in relation to the top of the side stones as shown here.

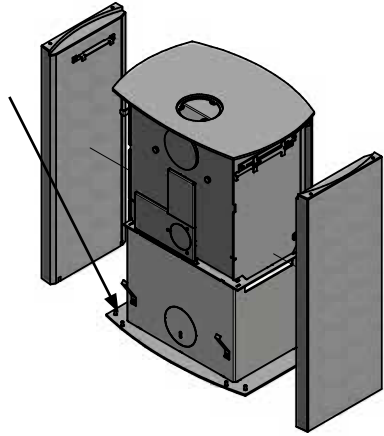


3. Remove the back panel by loosening the screws (3) and lifting it off.

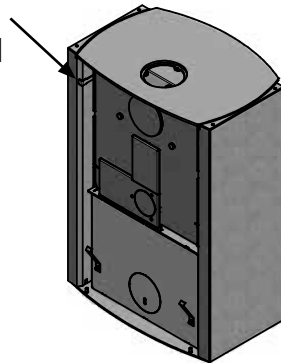
4. Pull the two fasteners (4) all the way to the rear.



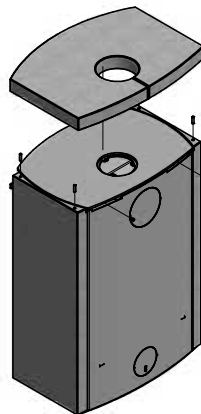
5. Place the side stones on the baseplate and carefully push them in against the guide pins on the baseplate.



6. Hold the side stone against the stove and push the fastener bracket all the way to the front until it clicks into place. The stones are now locked in place.



7. Reattach the back panel and insert the four enclosed guide pins, two on each side. Place the top stone on top of the stove, making sure the guide pins in the side stone mesh with the guide holes in the top plate.



Attaching the firewood bin cover

Attach the firewood bin cover by resting the cover's rubber feet (1) on the stove baseplate. Then tilt it in against the stove until the magnets (2) hold the cover in place.

