

Remote control included

With Decoflame's remote control, operating the electronic fireplace is simplified - it's intuitive for a great user experience.



App Control for IOS and Android

Decoflame's app allows you to adjust flames, monitor fuel levels, use the time-off function for automatic shutdown, and control multiple fireplaces, increasing both convenience and safety.



| | | | |
|------------------|-------------|-------------|--------------|
| | 720mm | 920mm | 1120mm |
| Size | 720x215x215 | 920x215x215 | 1120x215x215 |
| Flametray size | 500mm | 700mm | 900mm |
| Capacity | 6L | 8L | 10L |
| Fuel consumption | 125 ml/h | 150 ml/h | 175 ml/h |
| Burning time | > 48 h | > 53 h | > 57 h |
| Net weight | 14,5 kg | 18,5 kg | 23,5 kg |

Power supply: 220V - 240V, 50 Hz

GENERAL INFORMATION

| | |
|------------------|--|
| Produced in | Denmark |
| Flame levels | 6 flamelevels |
| Sensors | Water Level Indicator/Mist Level Indicator/ Spillage |
| Powersupply | 230 V |
| Fuel Type | USE ONLY demineralised water |
| Flue | Not required |
| No internal pump | No noise, reduced maintenance, increased reliability |
| Finish | Black powder-coating |
| Finish top-plate | 2mm black powder-coated steel |
| Glass | Tempered glass, T6mm H70mm The glass is placed in customised glassholders |
| Application | Indoor use only |

The Hybrid Mist Fireplace utilises advanced technology to atomise water vapour, creating a fine mist that can be electronically controlled. This mist is complemented by integrated LED lights in various colours, producing the illusion of real flames.

This burner can be implemented in various fireplace solutions; see the next page for details.

For households with small children or pets, where an open fire might be a concern, this fireplace offers an excellent alternative.

The Hybrid Mist Fireplace is available in three standard sizes.

DEMINERALISED WATER

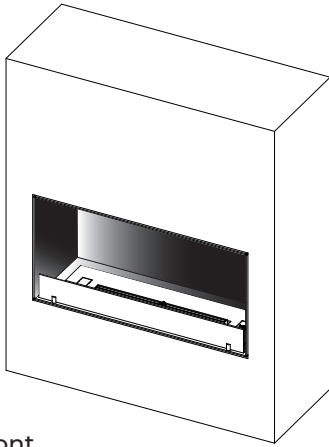
For use and information, please visit: decoflame.com.

Please be aware that it is essential to use demineralised water for proper use and guarantee of your

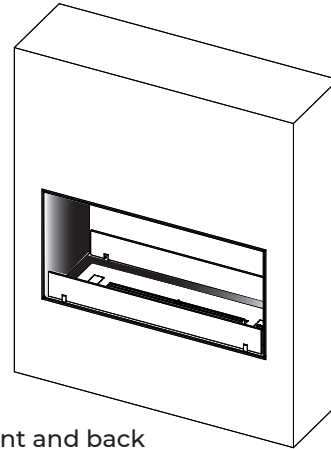
Subject to typing errors, typos and technical faults, production- and product tolerances.

Decoflame ApS reserves the right to make changes without notice. We refer to Decoflame's Ordinary Terms and Conditions.

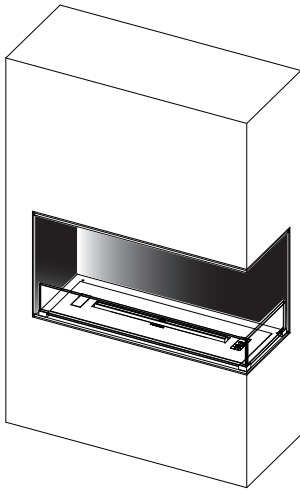
HYBRID MIST CAN BE INSTALLED IN
 VARIOUS CONSTRUCTION OPTIONS. EG:



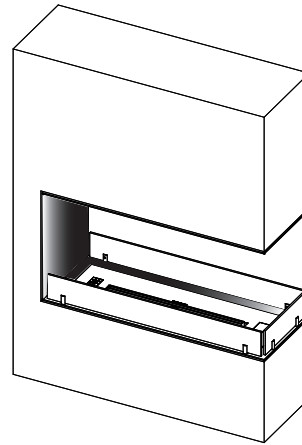
Open to front



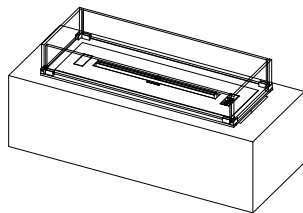
Open to front and back



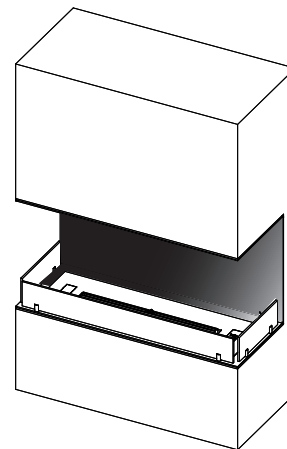
Open to front and 1 side (Left or right)



Open to front, back and 1 side (Left or right)



Single standing



Open to front and 2 sides

Decoflame advises the installation of glass shields to safeguard the mist from draughts, thereby maintaining its visibility and effectiveness. For certain specified solutions, the use of high glass panels or a glass door is also possible for some of the solutions. For further technical specifications and detailed information, please contact Decoflame directly.