



**BRUGERMANUAL
BEDIENUNGSANLEITUNG
USER MANUAL
MANUEL D'UTILISATEUR
BRUKERVEILEDNING
BRUKSANVISNING
KÄYTTÖOHJE
GEBRUIKERSHANDLEIDING**

RAIS 500

attika[®]
FEUERKULTUR

RAIS[®]
ART  OF FIRE

DK - BRUGER MANUAL
 DE - BEDIENUNGSANLEITUNG
 UK - USER MANUAL
 FR - MANUEL D'UTILISATEUR
 N - BRUKERVEILEDNING
 S - BRUKSANVISNING
 FIN - KÄYTTÖOHJE
 FL - GEBRUIKERSHANDLEIDING
 DECLARATION of PERFORMANCE (back of the user manual)



Produced at:

RAIS A/S, Industrivej 20, 9900 Frederikshavn, Danmark

EN 13229:2001+A2:2004
 EC.NO: 511

15

Raumheizer für feste Brennstoffe
 Appliance fired by wood
 Poêle pour combustibles solides

RAIS 500 1G / 1SG / 2G / 2SG / 3G / 3SG

Anordningen må kun installeres i forbindelse med ubrændbart materiale.

AFSTAND TIL BRÆNDBART, BAGVEJ
 ABSTAND ZU BRENNBAREN BAUTEILEN, HINTEN
 DISTANCE TO COMBUSTIBLE BACK WALL
 DIST. ENTRE COMPOSANTS COMBUSTIBLES, ARRIÈRE

DK: SE BRUGERVEJLEDNING
 DE: SIEHE BEDIENUNGSANLEITUNG
 UK: SEE USER MANUAL
 FR: CONSULTEZ LE GUIDE DE L'UTILISATEUR

AFSTAND TIL BRÆNDBART, SIDEVEJ
 ABSTAND ZU BRENNBAREN BAUTEILEN, SEITE
 DISTANCE TO COMBUSTIBLE SIDE WALL
 DISTANCE ENTRE COMPOSANTS COMBUSTIBLES, COTÉ

DK: SE BRUGERVEJLEDNING
 DE: SIEHE BEDIENUNGSANLEITUNG
 UK: SEE USER MANUAL
 FR: CONSULTEZ LE GUIDE DE L'UTILISATEUR

AFSTAND TIL BRÆNDBART, MØBLERING
 ABSTAND VORNE ZU BRENNBAREN MÖBELN
 DISTANCE TO FURNITURE AT THE FRONT
 DISTANCE ENTRE COMPOSANTS COMBUSTIBLES, DEVANT

DK:800 mm/SE BRUGERVEJLEDNING
 DE:800 mm/SIEHE BEDIENUNGSANLEITUNG
 UK:800 mm/SEE USER MANUAL
 FR:800 mm/CONSULTEZ LE GUIDE DE L'UTILISATEUR

CO EMISSION
 CO EMISSION IN DEN VERBRENNUNGSPRODUKTEN
 EMISSION OF CO IN COMBUSTION PRODUCTS
 EMISSION CO DANS LES PRODUITS COMBUSTIBLES

DK: 0,06%
 DE: 0,06% / 733 mg/Nm³
 UK: 0,06%
 FR: 0,06%

STØV / STAUB /
 DUST / POUSSIÈRES:

DK: 3 mg/Nm³ / DE: 3 mg/Nm³
 UK: 3 mg/Nm³ / FR: 3 mg/Nm³

RØGGASTEMPERATUR / ABGASTEMPERATUR /
 FLUE GAS TEMPERATURE / TEMPÉRATURE DES GAZ DE FUMÉE:

DK: 292°C / DE: 292°C
 UK: 292°C / FR: 292°C

NOMINEL EFFEKT / HEIZLEISTUNG /
 THERMAL OUTPUT / PUISSANCE CALORIFIQUE:
 VIRKNINGSGRAD / ENERGIEEFFIZIENZ /
 ENERGY EFFICIENCY / EFFICACITÉ ÉNERGÉTIQUE:

DK: 7 kW / DE: 7 kW
 UK: 6 kW / FR: 7 kW
 DK: 80% / DE: 80%
 UK: 80% / FR: 80%

DK: Brug kun anbefalede brændstoffer. Følg instrukserne i brugermanualen.
 Anordningen er egnet til røggasafledning og intervalfyring.

DK: BRÆNDE

DE: Lesen und befolgen Sie die Bedienungsanleitung.
 Zeltbrandfeuerstätte. Nur empfohlene Brennstoffe einsetzen.

DE: HOLZ

UK: Fuel types (only recommended). Follow the installation and
 operating instruction manual. Intermitent operation.

UK: WOOD

F: Veuillez lire et observer les instructions du mode d'emploi.
 Foyer à durte de combustion limitée, homologué pour cheminée à
 connexions multiples. Utiliser seulement les combustibles recommandés.

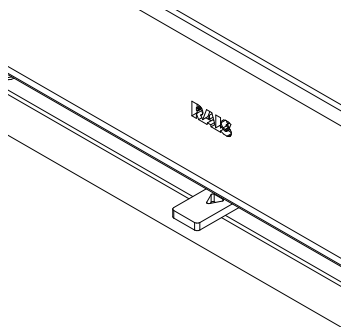
FR: BOIS

Hergestellt für /Produced for:

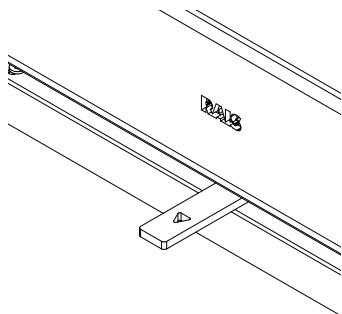
ATTIKA FEUER AG, Brunnmatt 16, CH-6330 Cham / RAIS A/S, Industrivej 20, DK-9900 Frederikshavn

15a B-VG
 VKF-NR:
 XXXXX
 Bauart: 2

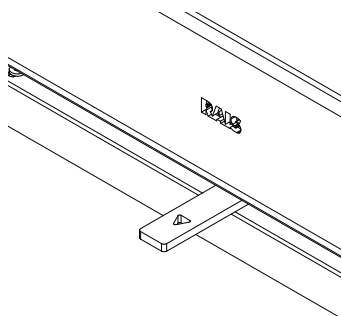
Brug af brændeovn / Using the wood burning stove / Bruk av peisovn
Använda kaminen / Tulisijan käyttäminen / Utilisation du poêle /
Gebruik van de kachel.



Position 1
Posisjon 1
Positionen 1
Asento 1
Positie 1

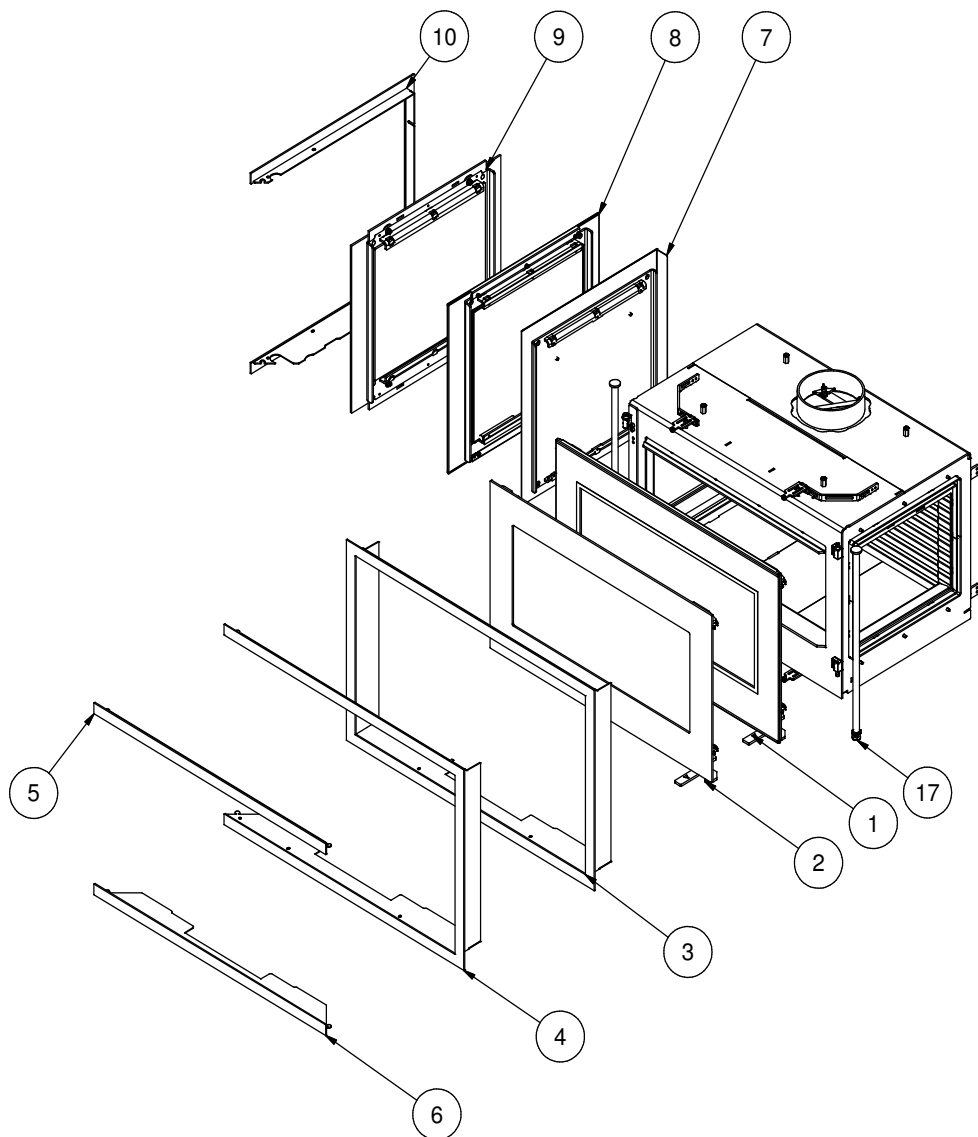


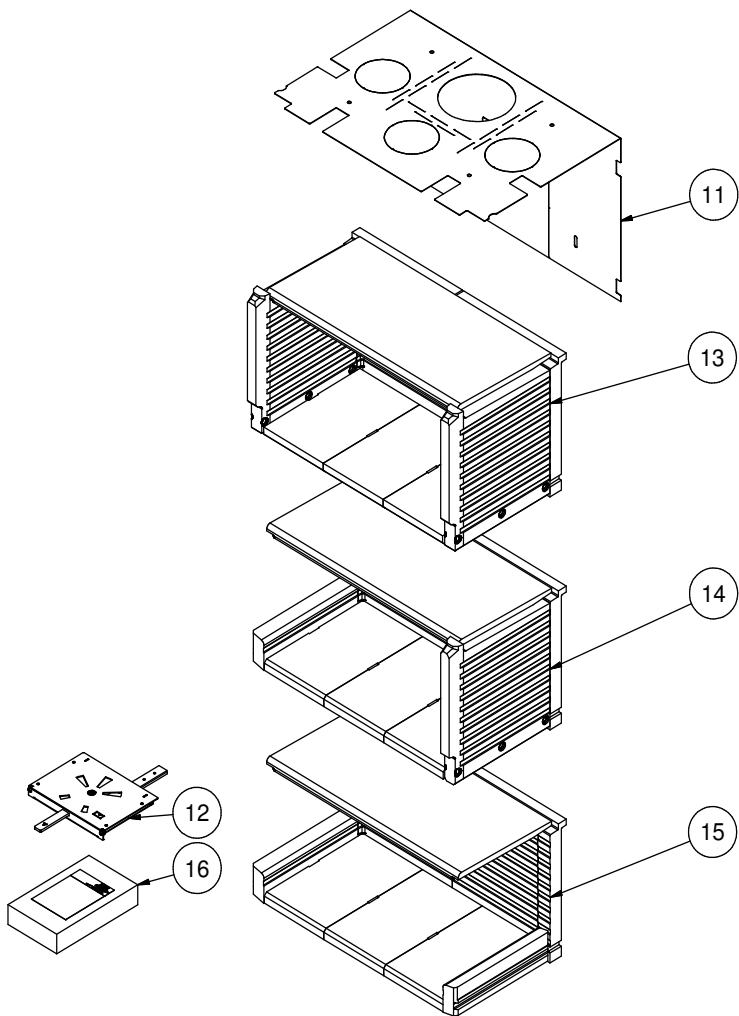
Position 2
Posisjon 2
Positionen 2
Asento 2
Positie 2



Position 3
Posisjon 3
Positionen 3
Asento 3
Positie 3

Reservedelstegning / Spare parts / Reservdelsritning / Varosapiitokset
Dessin des pièces de rechange / Tekeningen van reserveonderdelen





FIRE ENVIRONMENTALLY FRIENDLY!

5 Eco-friendly advices for sensible heating

- common sense both environmentally and economically.

1. Effective lighting. Use small pieces of wood (fir tree) and a suitable fire lighter, for example paraffined wood wool/sawdust. Open the air damper, so plenty of air is fed to the stove and the gases from the heated wood can burn rapidly.
2. Light the fire with only little wood at a time - this gives the best combustion. Remember plenty of air for every time new wood is added.
3. When the flames are diminished, adjust the air damper so that the air supply is reduced.
4. When only glowing embers remain, air flow can be reduced further, so heating demand is just covered. With a lower air supply the charcoal will burn slower and the heat loss through the chimney is reduced.
5. Use only dry wood - ie wood with a humidity of 15 to 20 percent.

RECYCLING:

The oven is wrapped in packaging that is recyclable. This must be disposed of according to national rules regarding the disposal of waste.

The glass can not be reused.

The glass should be discarded along with the residual waste from ceramics and porcelain.

Pyrex glass has a higher melting temperature and therefore can not be reused.

If discarded you make an important positive contribution to the environment.

Rais 500

Revision : 9

Date : 13-9-2016

INTRODUCTION	8
WARRANTY	9
SPECIFICATIONS	10
INSTALLATIONS INSTRUCTIONS.....	11
CONVECTION	12
CHIMNEY	12
VENTILATION / HEAT TRANSFER.....	14
AIR-SYSTEM	15
INSTALLATION	17
INSTALLATION DISTANCE	21
FUEL	29
REGULATION OF COMBUSTION AIR	30
USING THE WOOD BURNING STOVE	31
ADJUSTMENT OF AIR DAMPER	31
CONTROL.....	31
FIRST USAGE	31
LIGHTING AND FUELLING	32
CLEANING AND CARE	34
CLEANING OF THE FLUE WAYS.....	35
INTERRUPTION OF OPERATION	37
ACCESSORIES.....	39
SPARE PARTS	40
Declaration of performance	42

Introduction

Thank you for purchasing a RAIS wood burning stove.
These appliances have been approved by HETAS Ltd as intermittent operating appliances for burning wood logs only.

A RAIS wood burning stove is more than just a heat source: it also shows that you care about design and quality in your home.

To make the most of your wood burning stove it is important that you read the manual thoroughly, before installing and using it.

In the case of warranty coverage, and for general queries regarding your wood burning stove, it is important that you know the stove's production number.

We therefore recommend that you note down the number in the table below.
The production number is located at the bottom left corner of the convex box.

Date:

Distributor:

Production number: <input type="text"/>
Produced by: RAIS A/S 9900 Frederikshavn, DK

WARRANTY

RAIS – wood-burning stoves are tested repeatedly in terms of safety, as well as material and manufacturing quality. We grant warranty on all models, starting with the date of installation.

The warranty refers to:

- documented malfunctions due to faulty manufacture
- documented material defects

The warranty does not cover:

- door and glass seals
- ceramic glass
- chamber lining
- appearance of the surface structure or natural stone texture
- appearance or changes of colour of the stainless steel or patina surfaces
- expansion noise

The warranty is invalidated in case of:

- damages, caused by overfiring
- damages, caused by external influence and the use of unsuitable fuels
- non-observance of statutory or recommended installation guidelines, and modifications to the wood-burning stove
- non-observance of service and care provisions

Please contact your retailer in the event of damage. We determine the way to repair the damage, in case of warranty claims. In the event of repair, we ensure proper and professional execution.

Warranty claims submitted for additionally delivered or repaired parts are subject to national/EU laws and regulations in terms of renewed warranty periods.

Please contact RAIS A/S for the applicable warranty provisions.

Specifications

	RAIS 500
Nominell output (kW):	6
Min./Max. output(kW):	4 - 8
Heating area (m ²):	ca. 60 - 120
Stove's width/depth/height (mm):	708 - 452 - 474
Combustion chamber's width/depth/height (mm):	556 - 306 - 295
Recommended amount of wood when fuelling (kg): (Distributed on 2-3 logs of wood approx. 25 cm)	1,8
Min. uptake (Pascal):	-12
Weight (kg):	110
Efficiency (%):	80
CO-emission at 13% O ₂ (%)	0,06
NOx-emission at 13% O ₂ (mg/Nm ³):	41
Particles after NS3058/3059 (g/kg):	1,8
Dust measured according to Din+(mg/Nm ³):	3
Smoke gas mass flow (g/s):	5,7
Smoke gas temperature (°C) with Nominal output	292
Intermittent operation:	Refuelling should be undertaken within 55 minutes

Installation instructions

The following pages give instructions for the safe and proper installation of this heating appliance in the UK. These instructions cover the basic principles of installation, although detail may need slight modification to suit particular local site conditions. In all cases the installation must comply with current UK Building Regulations, Local Authority Byelaws and other specifications or regulations as they affect the installation of the stove. Please note that it is a legal requirement under England and Wales Building Regulations that the installation of the stove is either carried out under Local Authority Building Control approval or is installed by a Competent Person registered with a Government approved Competent Persons Scheme. HETAS Ltd operate such a Scheme and a listing of their Registered Competent Persons can be found on their website at www.hetas.co.uk.

It should be noted that the current Building Regulations requirements are given in Approved Document J. These requirements may also be met by adopting the relevant recommendations given in British Standards BS 8303, BS 6461 and BS 7566.

WARNING: Health and Safety Advice Notice

The installation of this heating appliance is governed by the Health and Safety at Work Act 1974. It is the responsibility of the installer to ensure that all requirements of this Act are met during the installation works. Attention is drawn in particular to the following:

Handling: The appliance is a heavy item and adequate facilities must be available for loading, unloading and site handling.

Fire Cement: Some types of fire cement are caustic and should not be allowed to come into contact with the skin. Protective gloves should be worn when handling fire cement. In case of contact with the skin wash immediately with plenty of water.

Asbestos: This stove contains no asbestos. If there is a possibility of disturbing any asbestos in the course of installation then please seek specialist guidance and use appropriate protective equipment.

Metal Parts: When installing or servicing this stove care should be taken to avoid the possibility of personal injury.

Important Warning –Preparatory Work and Safety Checks:

- This stove must not be installed into a chimney that serves any other heating appliance.
- There must not be an extractor fan fitted in the same room as the stove as this can cause the stove to emit fumes into the room.
- If this appliance is installed into an existing chimney, the chimney must first be swept and examined for soundness and suitability before the appliance is installed (see also section headed "Chimney").

Convection

RAIS stoves are convection stoves. This means that the stove's back and side panels are not over-heated. Convection means that there is a circulation of air, which ensures that the heat is distributed more evenly throughout the entire room. The **cold air** is sucked in at the base of the stove up through the convection channel, which runs along the stove's combustion chamber. The **heated air** pours out at the top of the stove, which ensures a circulation of warm air throughout the room.

The stoves are equipped with "cold" door handles – RAIS special feature – which means you could almost do away with gloves. Be aware, however, that all exterior surfaces become hot during use - so take extreme care.

Chimney

The chimney is the driving force which makes the stove function. In order for the stove to perform satisfactorily the chimney height must be sufficient to ensure the correct draught of 14 to 18 Pa so as to clear the products of combustion and prevent problems of smoke emanating into the room when firing.

NOTE: A chimney height of not less than 4.5 metres measured vertically from the outlet of the stove to the top of the chimney should be satisfactory. Alternatively the calculation procedure given in BS 5854:1980 may be used as the basis for deciding whether a particular chimney design will provide sufficient draught.

The outlet from the chimney should be above the roof of the building in accordance with the provisions of Building Regulations Approved Document J.

If installation is into an existing chimney then it must be sound and have no cracks or other faults which might allow fumes into the house. Older properties, especially, may have chimney faults or the cross section may be too large i.e. more than 230 mm x 230 mm. Remedial action should be taken, if required, seeking expert advice, if necessary. If it is found necessary to line the chimney then a flue liner suitable for solid fuel must be used in accordance with Building Regulations Approved Document J.

Any existing chimney must be clear of obstruction and have been swept clean immediately before installation of the stove. If the stove is fitted in place of an open fire then the chimney should be swept one month after installation to clear any soot falls which may have occurred due to the difference in combustion between the stove and the open fire.

If there is no existing chimney then either a prefabricated block chimney in accordance with Building Regulations Approved Document J or a twin walled insulated stainless steel flue to BS 1856-1 can be used. These chimneys must be fitted in accordance with the manufacturer's instructions and Building Regulations.

A single wall metal fluepipe is suitable for connecting the stove to the chimney but is not suitable for using for the complete chimney. The chimney and connecting fluepipe must have a minimum diameter of 150 mm and its dimension should be not less than the size of the outlet socket of the stove which is 150 mm in diameter. Any bend in the chimney or connecting fluepipe should not exceed 45°. 90°bends should not be used.

Combustible material should not be located where the heat dissipating through the walls of fireplaces or flues could ignite it. Therefore when installing the stove in the presence of combustible materials due account must be taken of the guidance on the separation of combustible material given in Building Regulations Approved Document J and also in these stove instructions.

If it is found that there is excessive draught in the chimney then either an adjustable flue damper or alternatively a draught stabiliser should be fitted. The adjustable flue damper should not close off the flue entirely but should in its closed position leave a minimum continuous opening free area of at least 20 % of the total cross sectional area of the flue or fluepipe.

Adequate provision e.g. easily accessible soot door or doors must be provided for sweeping the chimney and connecting fluepipe.

You should also familiarise yourself with the draught conditions for chimneys with 2 flues.

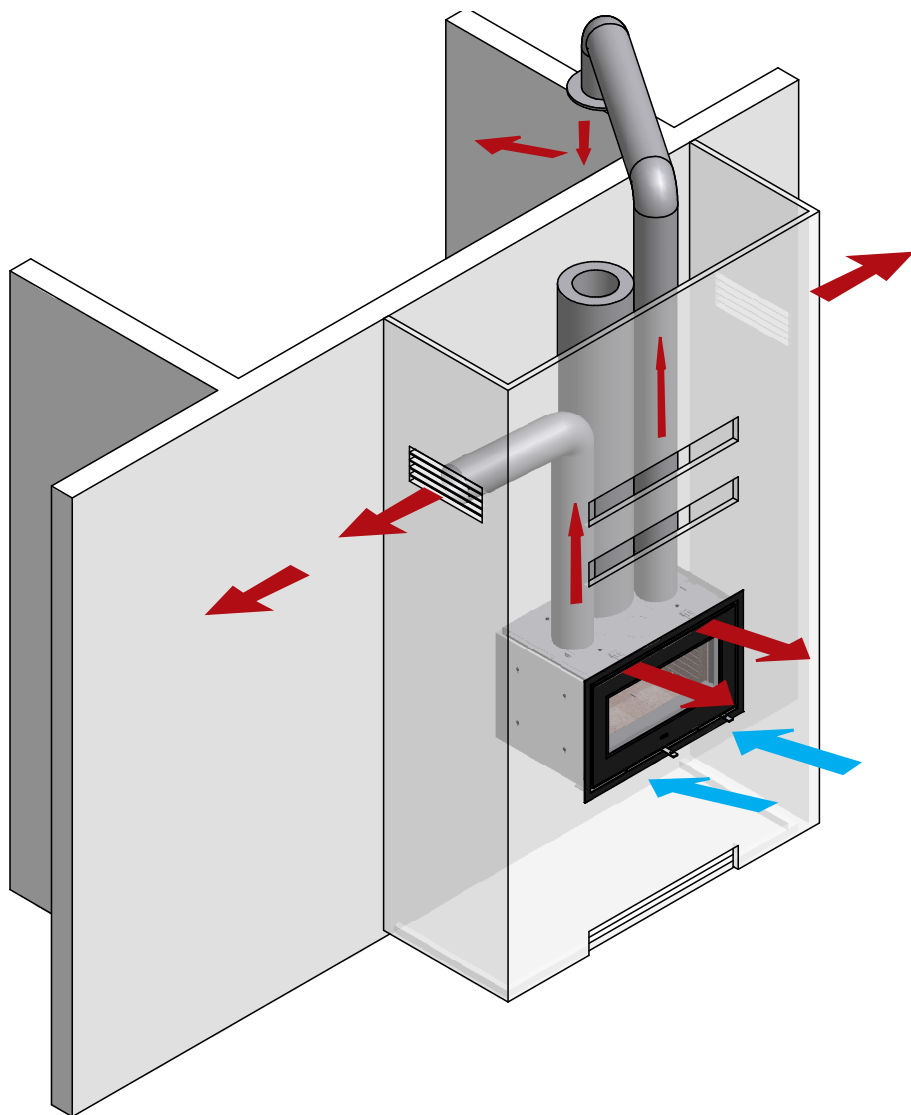
The flue outlet spigot is 150 mm in diameter.

For strong draughts, the chimney or flue should be fitted with a draught stabiliser. In which case, it is important to ensure that there is a free flow-through area of minimum 20 cm² when the regulating gate is shut. Otherwise, the fuel energy may not be used optimally. If, at any time, you are unsure about the condition of the chimney, you should contact a chimney sweep.

Remember that access to the access door should be kept clear.

Ventilation/heat transfer - make the best possible use of the insert.

The stove is equipped with four convection air outlet, which may be connected with suitable air ducts to other rooms.



Air-system

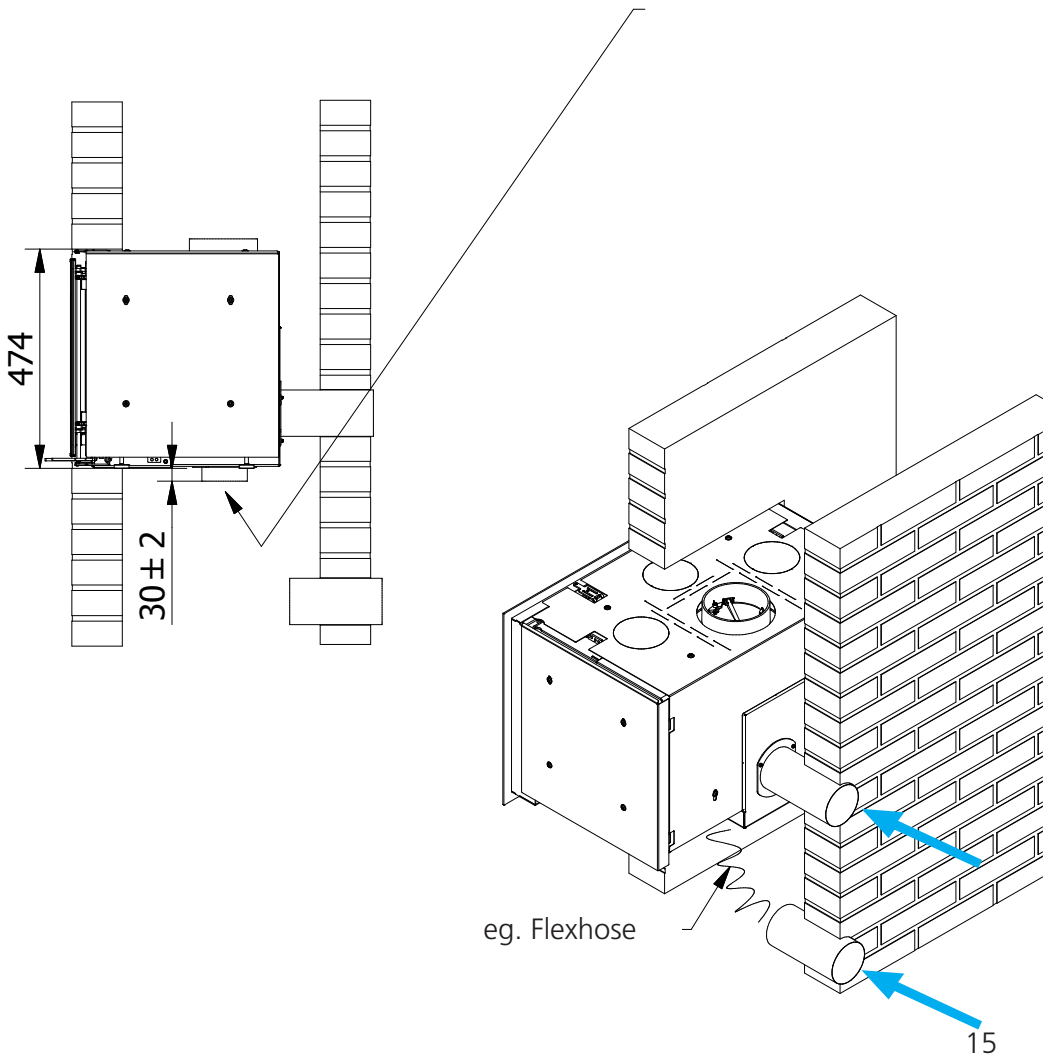
Mounting the Air system ensures that the air control system get fresh air from outside. To ensure that Air system works, you have to build in items of ensuring that there can be no vacuum in the home.

Air connection can be mounted behind or under the stove.

In accordance with Building Regulations Approved Document J a permanent air supply vent is required into the room in which the stove is installed to provide combustion air.

Note!!

Be aware if the Airbox mounted at the bottom increased the total height.



Installation

It is prohibited to carry out unauthorised alterations to the stove.

There must be plenty of fresh air in the room where the stove is being installed, in order to ensure proper combustion. Note that any mechanical exhaust ventilation - e.g. an extraction hood - may reduce the air supply. Any air grates must be placed in such a manner, that the air supply is not blocked.

The stove is equipped with four convection air outlets, which may be connected with suitable air ducts to other rooms.

Building Regulations Approved document J gives specific guidance on the required permanent ventilation into the room for combustion air of solid fuel appliances.

The floor structure must be able to carry the weight of the wood burning stove, as well as the weight of a chimney, if necessary.

When you choose where to set up your RAIS wood burning stove, you should consider the heat distribution to the other rooms. This will enable you to get the best use out of your stove. The stove should be set up at a safe distance from inflammable materials. See the manufacturer's plate on the wood burning stove.

Installation of stove:

NOTE: Decision to be taken concerning the placement of the inlets and outlets of the convection system. The area requirements for convection holes to be kept. Miscolouring of the wall above the doors and the convection air outlets may occur due to raising hot air. RAIS cannot take responsibility for building in or consequential damage.

The stove to be inspected for defects at receipt.

Lift the stove from the pallet to the place of installation on a suitable floor protection. The stove can be mounted with rack and adjustable leg (buy accessories at your local RAIS dealer)

The stove is aligned by adjusting screws, so the lower edge of the glass door is in horizontal position and the surface of the door is vertical when the door is closed.

Remove the front plate and door from the stove. Be careful not to damage the glass on the door. Protect the painted stove body against spray of cement and paint.

Install the uninsulated flue pipe on the flue outlet inside the convection box. It is important that there are no leakage between the flue pipe and the stove. It is recommended to seal the connection by suitable gasket or compound.

Install the insulated flue pipe and connect to chimney.

Install fresh air inlet connection to the pipe stub if such is to be installed (if chosen).

If pipes are intended installed on the outlets of the convection system this is recommended before building further.

The stove is now ready for building into either panels or brick wall.

After establishing the wall and eventually painted, the fronts and covers are mounted again. Remove all protective plastic and tape.

It is possible to deliver front panels in special measures if needed together with the stove. Contact your local RAIS dealer,

NB!!

RAIS A/S recommends that the stove installed by a licensed/qualified electrician.
Ask your dealer for details.

Installation dimensions

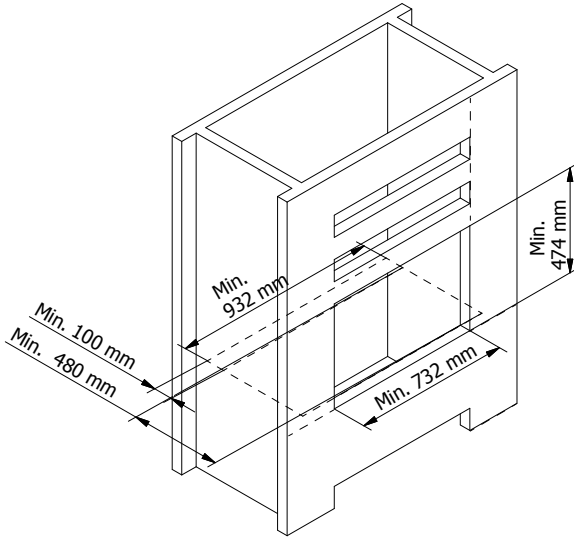
Hole measurements (height x width)

min. 474 x 732 mm

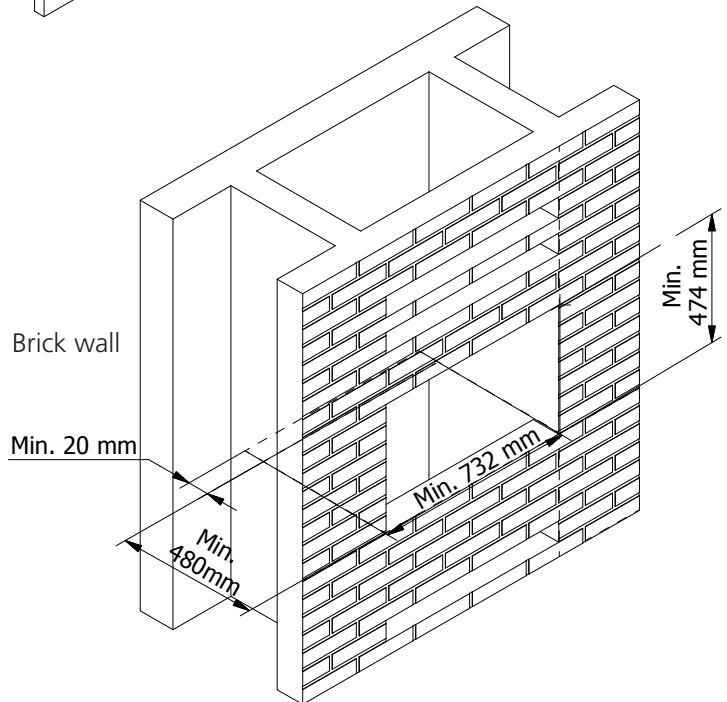
max. 494 x 752 mm

A wood burner insert should never fit tightly. Steel expands when heated.

Panel wall



Brick wall



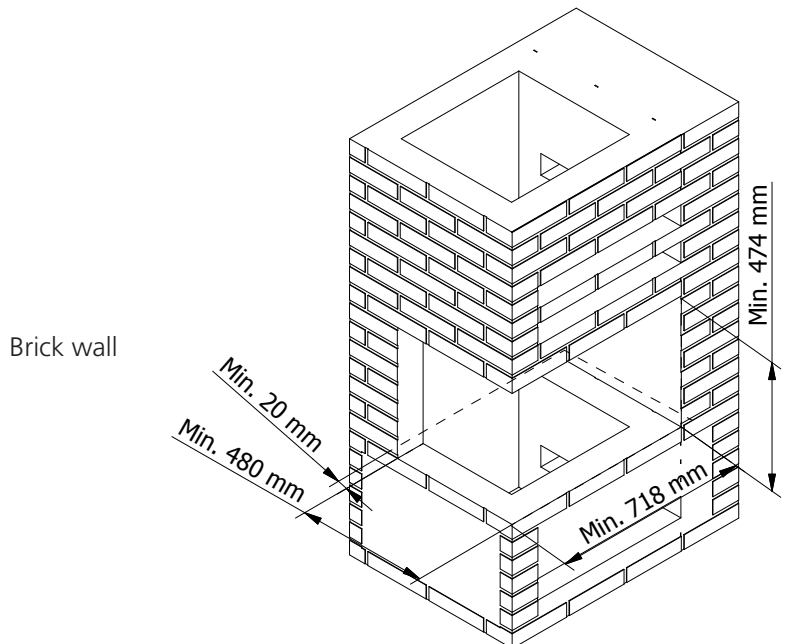
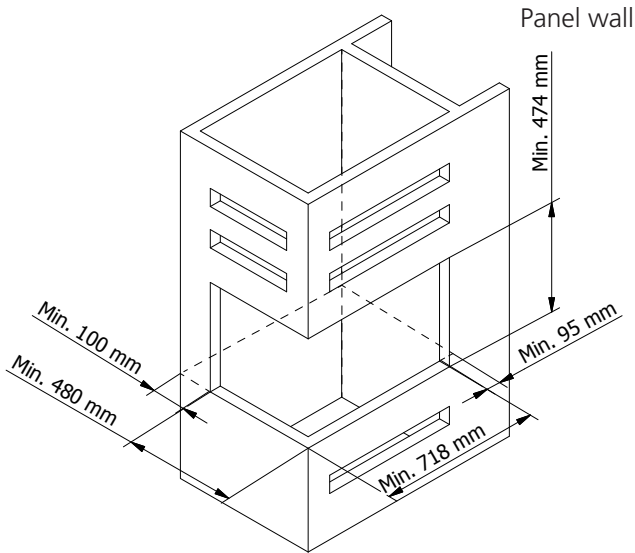
Installation dimensions 2G

Hole measurements (height x width x depth)

min. 474 x 718 x 480 mm

max. 494 x 730 x 490 mm

A wood burner insert should never fit tightly. Steel expands when heated.



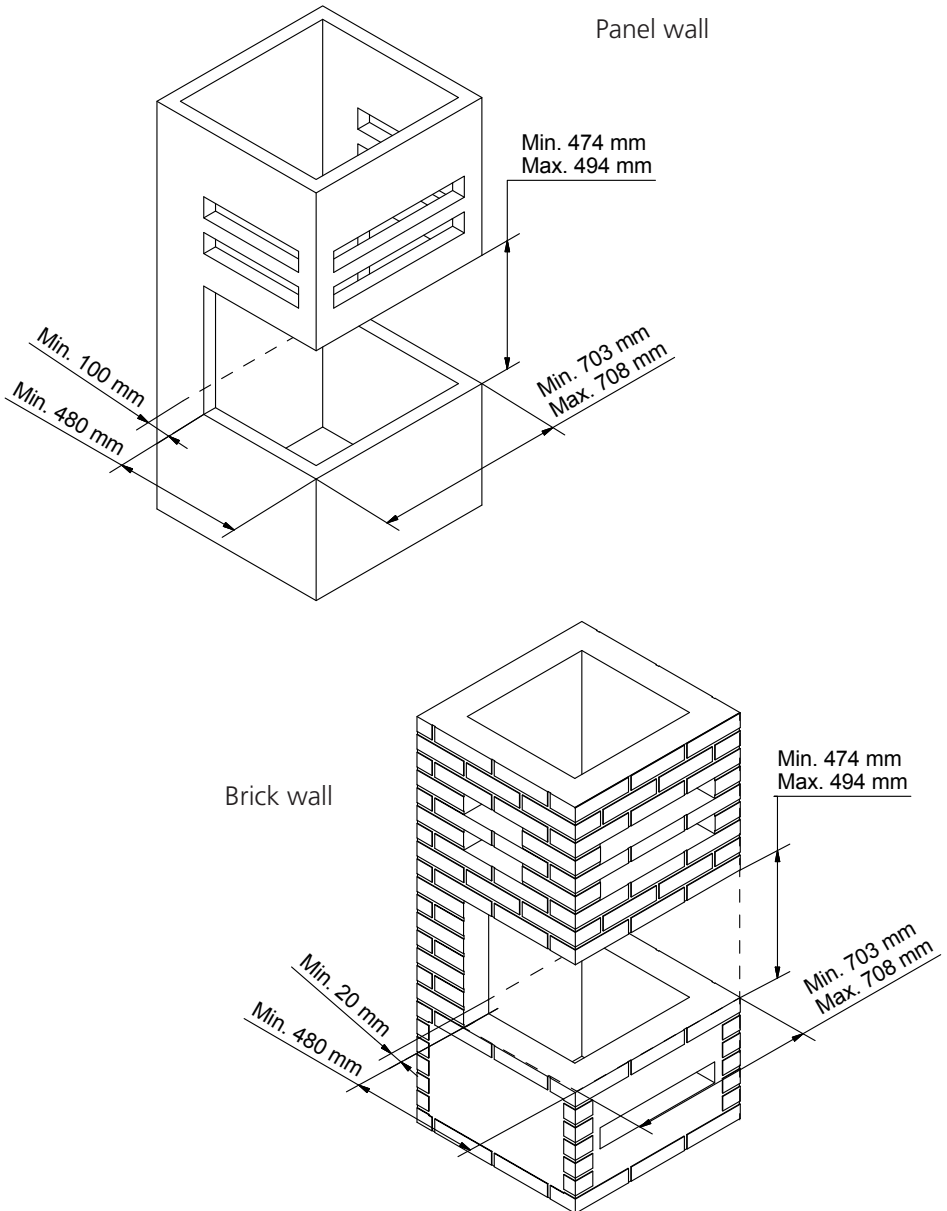
Installation dimensions 3G

Hole measurements (height x width x depth)

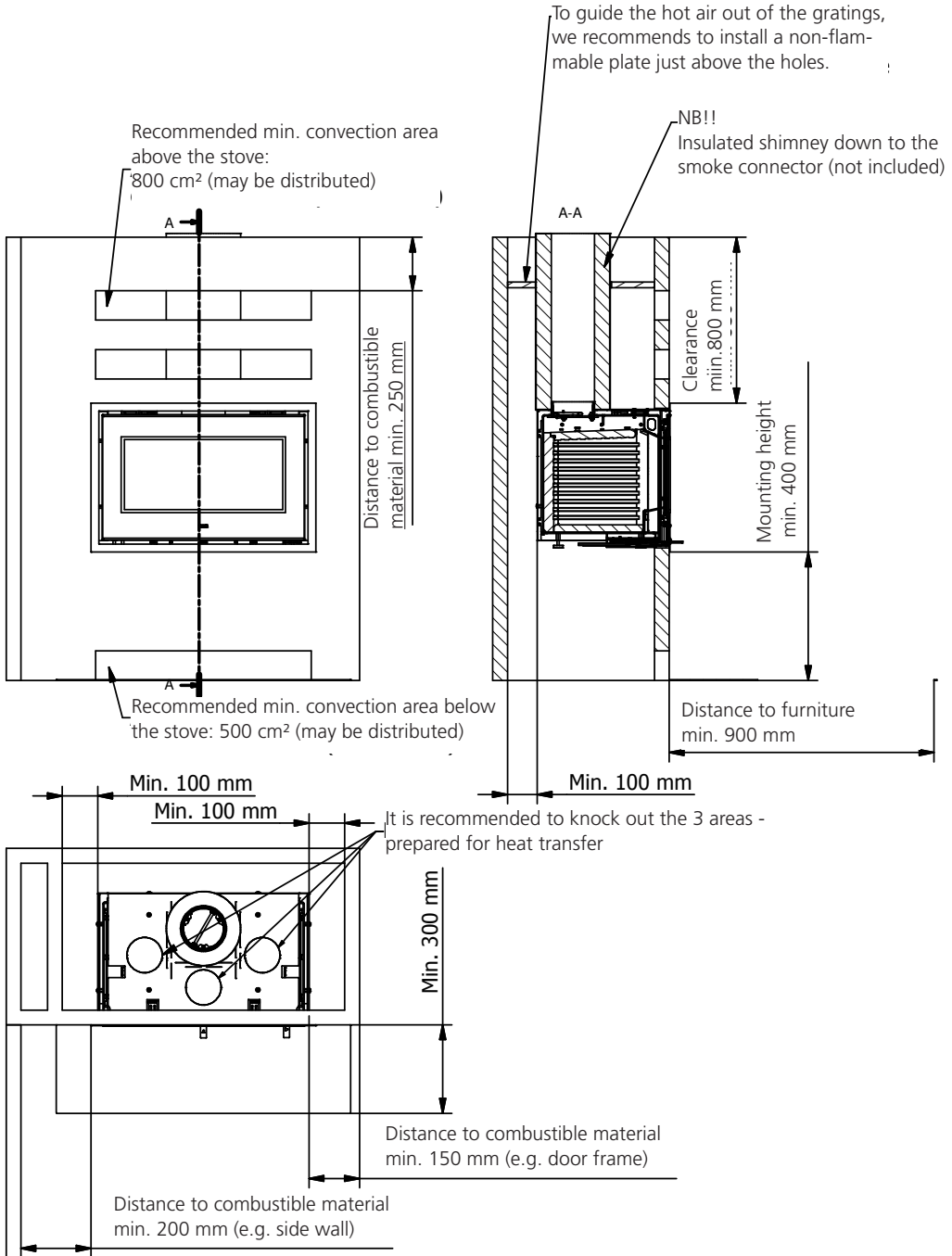
min. 474 x 703 x 480 mm

max. 494 x 708 x 490 mm

A wood burner insert should never fit tightly. Steel expands when heated.



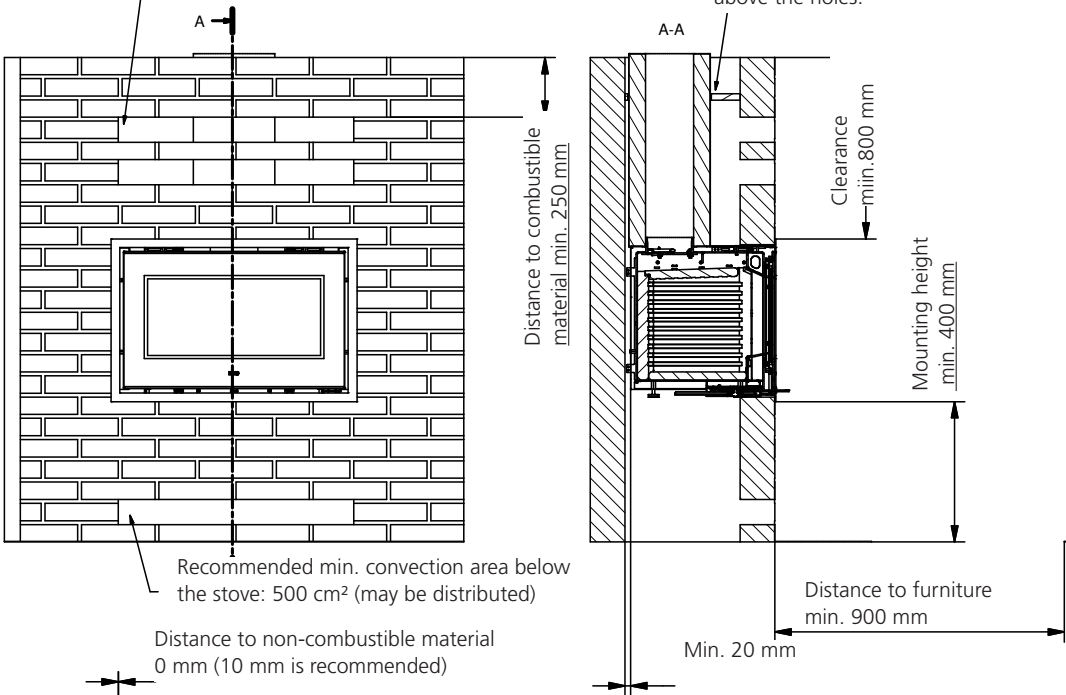
Mounting distance for panelled wall - non-combustible material



Mounting distance for brick wall / firewall

Recommended min. convection area above the stove:
800 cm² (may be distributed)

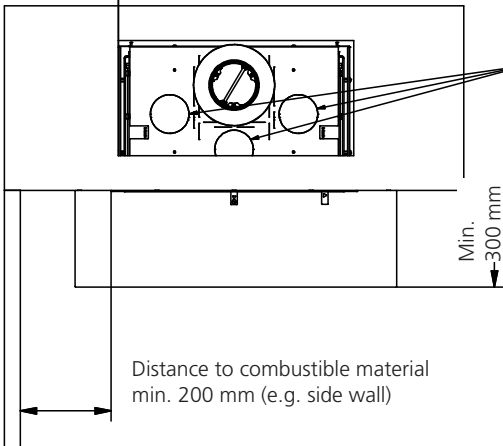
To guide the hot air out of the gratings, we recommends to install a non-flammable plate just above the holes.



Recommended min. convection area below the stove: 500 cm² (may be distributed)

Distance to non-combustible material
0 mm (10 mm is recommended)

It is recommended to knock out the 3 areas - prepared for heat transfer



Distance to combustible material
min. 200 mm (e.g. side wall)

Mounting distance - 2G / 3G non-combustible material:

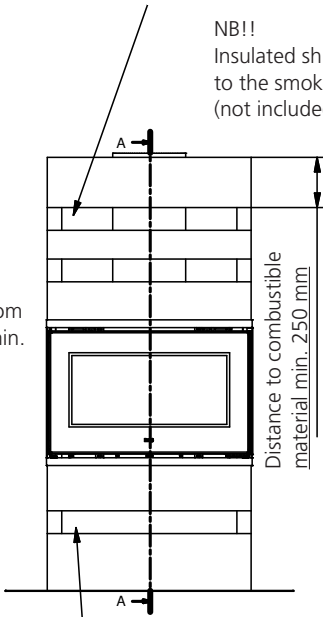
Recommended min. convection area
above the stove:
800 cm² (may be distributed)

NB!!
Insulated shimney down
to the smoke connector
(not included)

To guide the hot air out of the
gratings, we recommends to
install a non-flammable plate
just above the holes.

Distance to
furniture from
side glass min.
800 mm

Distance to combustible
material min. 250 mm



Distance to
combustible
material
min. 200 mm

Recommended min. convection
area below the stove:
500 cm² (may be distributed)

es)

Min.
100 mm

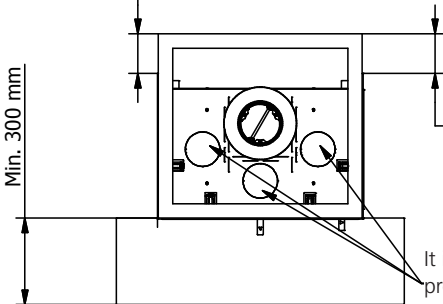
Distance to furniture
min. 900 mm

Clearance
min. 800 mm

min. 850 mm

Mounting height
min. 400 mm

min. 400 mm



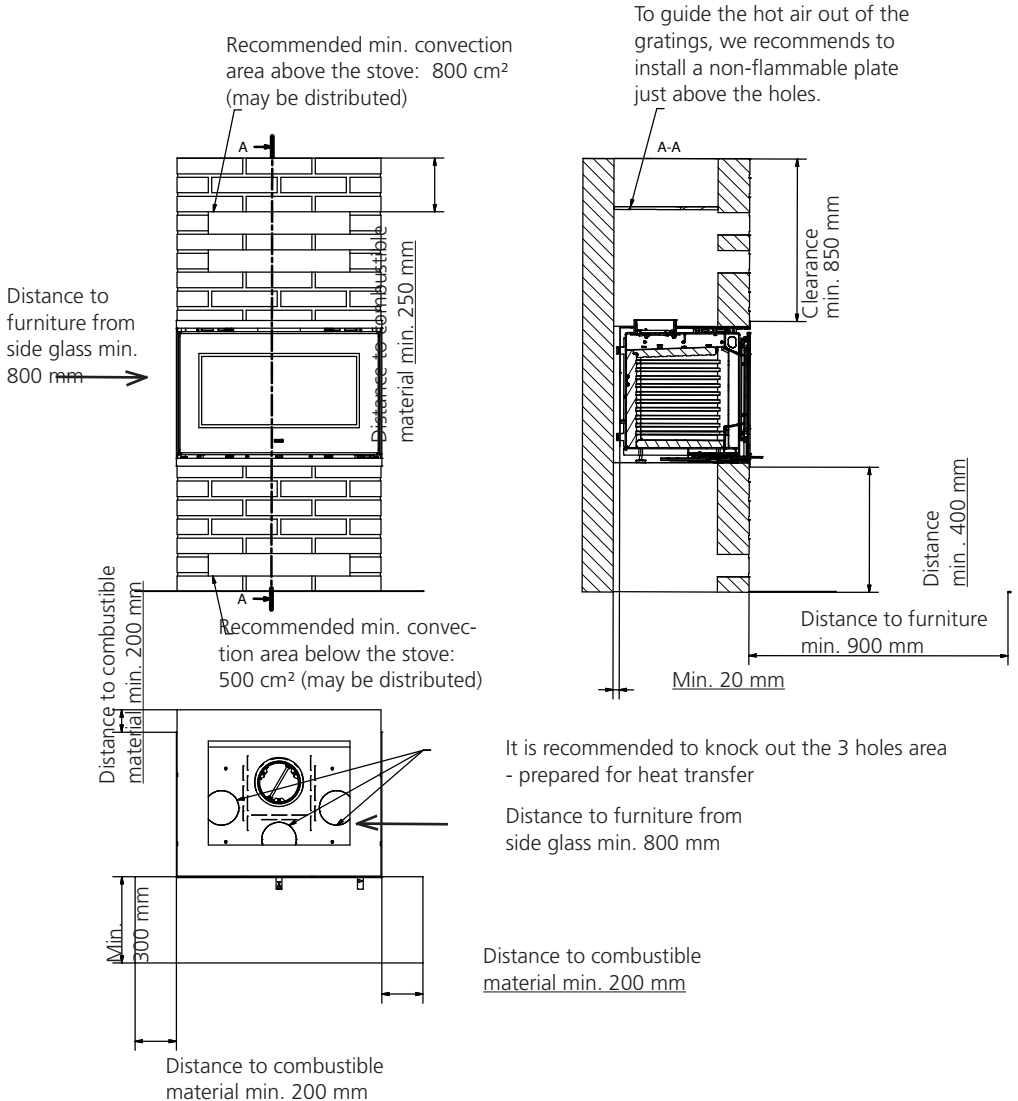
Distance to combustible
material min. 200 mm

Distance to furniture from
side glass min. 800 mm

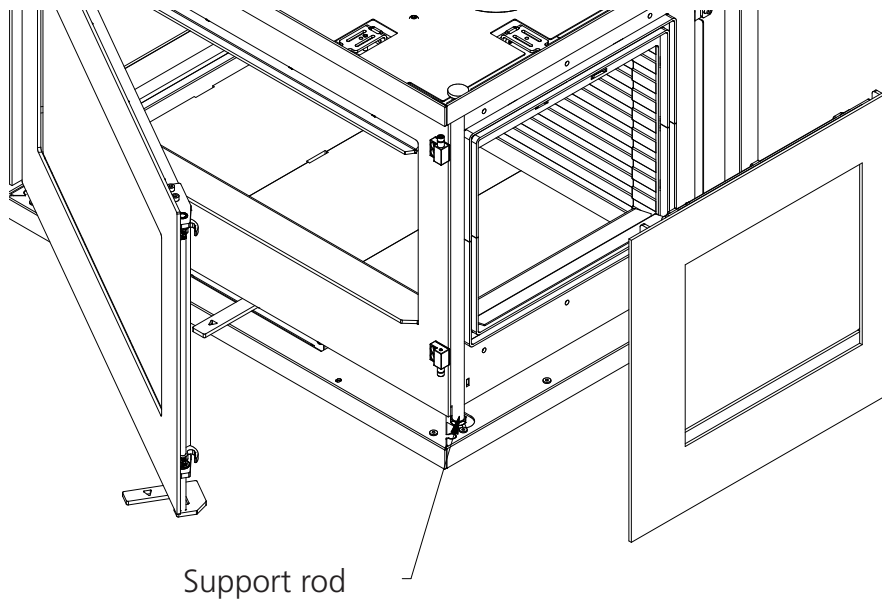
It is recommended to knock out the 3 areas -
prepared for heat transfer

Mounting distance - 2G / 3G brick:

If not generating enough convection, there may be damage to the brick walls.

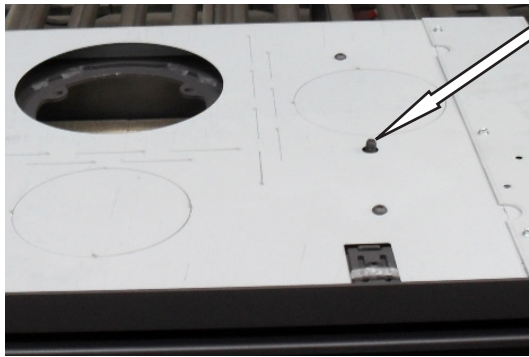


Placement of support rod - 2G / 3G model

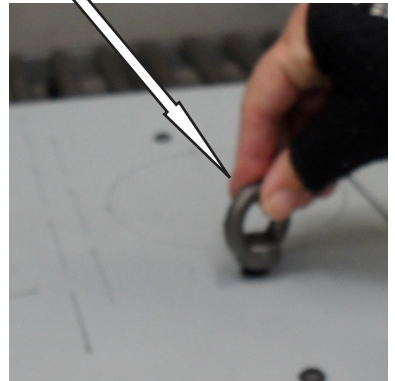


Install eyebolt for lifting the oven.**Attached:**

- 2 pcs M8 Eyebolt
- 2 pcs M8x10 RH RÅ (screws)



Screw the two lifting eye nuts onto the two M8x35 screws



After using the eyebolt, the M8x35 screws can be replaced with M8x10 RH RÅ



Remove the baffle plate by pushing up on one side - so it comes off the track - and gently tilt the other side toward the combustion chamber.



M8x35 screws



M8x10 screws



Installation distance in case of combustible wall

To find out whether the wall next to where the stove is going to be installed is flammable, you should contact your building contractor or the local building authorities.

The hearth should be able to accommodate the weight of the stove. The chimney must be independently supported by wall brackets or a ceiling support plate. The weight of the stove is indicated in the brochure.

The stove should always be installed on a non-combustible hearth of a size and construction that is in accordance with the provisions of the current UK Building Regulations Approved Document J.

If the stove is to be installed on a wooden floor, it must be covered with a noncombustible material at least 12mm thick, in accordance with UK Building Regulations Approved Document J, to a distance of 300 mm in front of the stove and 150 mm to each side measuring from the door of the combustion chamber.

The clearance distances to combustible material beneath, surrounding or upon the hearth and walls adjacent to the hearth should comply with the guidance on the separation of combustible material given in UK Building Regulations Approved Document J and also in these stove instructions.

For the Installer

Finally before firing the stove for the first time a check should be made to ensure that the assembly and stove installation has been satisfactory and that there are no leaks in any seals in the appliance and appliance connections to the chimney.

Ensure that the appliance and chimney flue are functioning correctly before finally handing over to the user. If necessary read the later parts of this manual for guidance on care required when first lighting.

Inform the user that the appliance has been commissioned and ready to use and give instruction on the safe operation of the stove.

These Instructions must be left with the user and the user should be instructed to keep them in a safe place.

Operating instructions

Please note that HETAS Ltd Appliance Approval only covers the use of dry seasoned wood logs on this appliance. HETAS Ltd Approval does not cover the use of other fuels either alone or mixed with the wood logs, nor does it cover instructions for the use of other fuels.

Fuel

The stove has been tested in accordance with EN 13229:2001, EN 13229:2001/A1:2003, EN 13229:2001/A2:2004, and NS 3058 for stoking split, dried birchwood, and is approved for broad-leaved/coniferous tree wood. The firewood must have a water content of 15-20% and its max. length should be the length of the combustion chamber minus 50-60 mm.

Stoking with wet firewood causes both soot, environmental pollution and bad fuel economy. Freshly cut wood contains approx. 50-70% water and is thoroughly unsuitable for stoking. Count min. 1 year of storage time for newly cut wood before using. Wood with a diameter of more than 100 mm should be split. Regardless of wood size, it should always have at least one surface area free of bark.

We do not recommend stoking with painted, laminated or impregnated wood, wood with a synthetic surface, painted refuse wood, chipboard, plywood, domestic waste, paper briquettes and pit coal, as this will produce malodorous smoke, which could be poisonous.

When firing with the above-mentioned items and amounts larger than those recommended, the stove is subjected to a larger amount of heat, which results in a higher chimney temperature and lower efficiency. This can result in the stove and chimney becoming damaged and would void the warranty.

The calorific value of the firewood is closely connected to the moisture level of the firewood. Moist firewood has a low heat value. The more water the wood contains, the more energy it takes for this water to vaporise, resulting in this energy being lost.

ONLY USE RECOMMENDED FUELS

The following table shows the calorific value of different types of wood, which have been stored for 2 years, and which have a residual moisture of 15-17%.

Wood	Kg dry wood pr. m ³	compared to beech/
oak		
Hornbeam	640	110%
Beech and oak	580	100%
Ash	570	98%
Maple	540	93%
Birch	510	88%
Mountain pine	480	83%
Fir	390	67%
Poplar	380	65%

1 kg of wood yields the same heat energy irrespective of wood type.
1 kg beech merely takes up less space than 1 kg of fir.

Drying and storage

Drying wood takes time: proper air drying takes approx. 2 years.

Here are some tips:

Store the wood sawn, split and stacked in an airy, sunny place, which is protected against rain (the south side of the house is particularly suitable).

Store the firewood stacks at a hand's breadth apart, as this ensures that the air flowing through takes the moisture with it. Avoid covering the firewood stacks with plastic, as this prevents the moisture from escaping. It is a good idea to bring the firewood into the house 2-3 days before you need it.

Regulating the combustion air

All RAIS stoves are equipped with a one-handed operating lever for regulating the damper. The stove-specific regulating mechanisms can be seen on the diagrams.

Primary air is the combustion air added to the primary combustion zone, i.e. the bed of glowing embers. This air, which is cold, is only used in the lighting stage.

Secondary air is the air which is added in the gas combustion zone, i.e. air which contributes to the combustion of the pyrolysis gasses (preheated air, which is used for the cleaner glass system and combustion). This air is sucked through the damper under the combustion chamber and is pre-heated through the side channels and then emitted as hot scavenging air onto the glass. The hot air rinses the glass and keeps it soot-free.

The tertiary channel, which can be seen at the the top of the combustion chamber towards the back, serves to combust the final gas residues.

By setting the interval between position 1 and 2, the energy content in the firewood is used optimally, as there is oxygen for combustion and for the burning of the pyrolysis gasses. When the flames are a clear yellow the damper has been set correctly. Finding the correct position comes with time after you have used for stove for a while.

It is not recommended that you turn it down completely. A mistake commonly made is shutting the damper too early because it feels too hot. This results in dark smoke emanating from the chimney and in the calorific value of the firewood not being used to its fullest.

Room ventilation and stoves

There must not be an extractor fan fitted in the same room as the stove as this can cause the stove to emit smoke and fumes into the room.

The stove requires a permanent and adequate air supply in order for it to operate safely and efficiently.

In accordance with Building Regulations Approved Document J a permanent air supply vent is required into the room in which the stove is installed to provide combustion air. This air vent should not under any circumstances be shut off or sealed.

Using the wood burning stove

Adjustment of the air damper - the damper has 3 settings

Position 1

The damper is almost closed meaning that there is a minimal air intake.

Position 2

Pull the lever until first click. This position gives full secondary air.

During normal stoking the lever is set between position 1 and 2. When the flames are clear and yellow, the damper is set correctly, i.e. resulting in a slow/optimal burning.

Position 3

Pull the lever until next click.

The air damper is completely open and gives full primary and secondary air. The position is for the lighting stage and is not used under normal operation.

Control

If the ash is white and the walls in the combustion chamber soot-free after the stove has been used, the air regulation was set correctly and the wood was sufficiently dry.

First usage

A careful start pays off. Start with a small fire, so that the wood burning stove can get accustomed to the high temperature. This gives the best start and any damage is avoided.

Be aware that a strange but harmless odour and smoke concoction may emanate from the surface of the stove, the first time you fire up. This is because the paint and materials need to harden. The odour disappears quickly, but you should check the ventilation and draught, if possible. See also, the IMPORTANT warning notice below about persistent fumes.

During this process you must be careful not to touch the painted surfaces, and it is recommended that you regularly open and close the door to prevent the door seal from sticking.

The stove may also produce "clicking noises" during heating and cooling, caused by the large temperature differences which the material is subjected to.

Never use any type of liquid fuel for kindling or maintaining the fire. You could be at risk of explosion.

The stove gets very hot when in use always wear protective gloves when tending the stove.

If the stove has not been used for a while, follow the steps as if you were using it for the first time.

IMPORTANT - Warning Note!

Properly installed, operated and maintained this appliance will not emit fumes into the dwelling. Occasional fumes from de-ashing and re-fuelling may occur. However, persistent fume emission is potentially dangerous and must not be tolerated.

If fume emission does persist, the following immediate actions should be taken:

- (a) Open doors and windows to ventilate room.
- (b) Let the fire out or eject and safely dispose of fuel from the appliance.
- (c) Check for flue or chimney blockage, and clean if required.
- (d) Do not attempt to relight the fire until the cause of the fume emission has been identified and corrected. If necessary seek expert advice.

IMPORTANT - Warning Note!

Do not use an aerosol spray on or near the stove when it is alight.

IMPORTANT - Safety advice!

When using the stove in situations where children, aged and/or infirm persons are present a fireguard must be used to prevent accidental contact with the stove. The fireguard should be manufactured in accordance with BS 8423:2002 (Replaces BS 6539).

Lighting and fuelling

NOTE: If aircsystem is connected, the valve must be open.

TIPS before firing up:

Open a door or window close to the wood burning stove.

If there is a "storm" in the stove coming from the chimney, it is advisable to place a screwed-up piece of newspaper between the upper baffle plate and the chimney, set the paper on fire, and wait until you hear a "rumbling" noise in the chimney.. This means that there definitely is a draught in the chimney and you avoid smoke in the room.

"Top-Down" lighting

Start by placing 3-4 pieces wood - approx. 1½-2 kilogram - in the bottom of the burning chamber.

Place approx. 1 kilogram of firewood, split into kindling sticks, and a couple of alcohol briquettes or similar (1-2). Set the air damper to fully open position.

Light the fire and close the door (3), leaving the door ajar approx. 10-15 mm.

When the flames are clear - after approx. 10-15 min. - close the door completely(4).
Damper - see adjustment of air damper.

When the last flames are extinguished and there is a nice layer of embers (5) - add 2-3 pieces of wood.

Leave the door ajar (6) until the fire has a good hold close the door completely.
Damper - see adjustment of air damper.

After approx. 5 min. - or when the flames are clear and stable - close the damper gradually.

Note!

Keep an eye on the stove when lighting.

During operation the door should always remain shut.

Warning!!

If the firewood is only burning slowly without flames or is smoking, and too little air is added, unburned exhaust gasses are developed. Exhaust gasses can be ignited and explode, leading to damage to material and possibly personal injury.

Never close the air supply completely when lighting a fire in the stove.



If there are only a few embers remaining you must light the fire again.

If you just add firewood the fire will not be lit, but unburned exhaust gasses will develop.

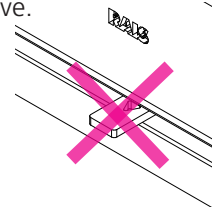


Here firewood has been added to an ember layer which is too small, and the air flow is too small - smoke is developed.



Avoid heavy smoke - danger of exhaust gas explosion.

In case of very heavy smoke, open the damper and light the fire again.



Cleaning and care

During cleaning and care, the stove must be cold.

Woodstoves should be serviced every summer so they are ready for the winter season. Grates, firebricks, baffles, rope seals should all be checked that they are in good condition, Chimney and flues should be swept at least once a year, some liner manufacturers require their to be swept twice a year.

Paint finish

The appliance has been coated with a high temperature paint which can last for years. Do not clean with a damp cloth or any cleaning products as they can cause rust or discolouration. Only clean when cold use a brush with soft bristles or dust with a lint free cloth. Only re-spray when necessary.

Glass

Most woodstoves use a glass product called ceramic. This glass is resistant to heat but requires cleaning to keep its appearance. Soot or opaque marks can easily be cleaned if the marks are fresh, however if you leave the glass dirty for any length of time the acid from the wood can etch the surface of the glass. Permanently (wet unseasoned wood, soft wood such as used in the building industry, pallet wood should be avoided)

Only clean when cold

Use only stove glass cleaners to re-move heavy tar / soot deposits. All other marks can normally be removed with a damp cloth, then dry with a clean cloth or newspaper, do not let the glass dry before applying a dry clean cloth.

With more stubborn marks i.e. Opaque areas / frosting, you need put a small amount of wood ash on a clean damp cloth. If the opaque mark / frosting, doesn't come out, use a cleaning pad called a "Dry Wiper" to reduce or remove the mark.

Cleaning the combustion chamber:

Scrape/shovel the ash out and store it in a non-flammable container until it has cooled down. You can dispose of ash with your normal household waste.

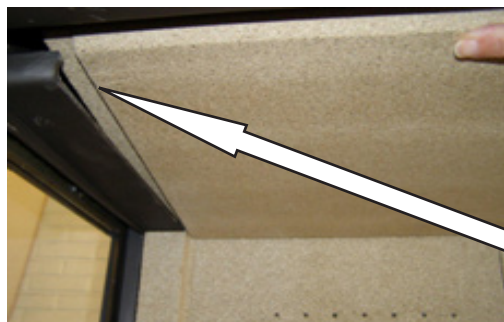
REMEMBER!! Never remove all the ashes from the combustion chamber - the wood will burn at its best with a layer of ashes of approx. 20 mm.

Prolonged periods of non-use:

If the stove is to be left unused for a prolonged period of time then it should be given a thorough clean to remove ash and unburned fuel residues. To enable a good flow of air through the appliance to reduce condensation and subsequent damage, leave the air controls fully open.

Prior to a new heating season, it should be checked that the chimney and smoke gas connector are not blocked.

Cleaning of the flue ways



Remove the baffle plate by pushing up on one side - so it comes off the track - and gently tilt the other side toward the combustion chamber.

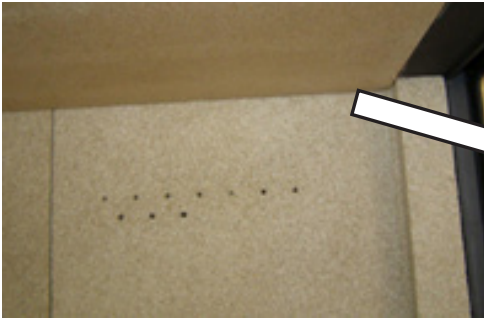




Gently take out the baffle plate.

Remove dirt and dust and put the parts back in reverse order.

Be aware that the baffle plate goes down and keeps the rear fire brick firmly.



Grab with both hands and gently pull the baffle plate into place so that it sits in the groove again.



Grab with both hands and gently pull the baffle plate into place so that it sits in the groove again.



Interruption of operation

Smoke spillage around door

could be due to too low draught in the chimney $<12\text{Pa}$

- check whether the flue or chimney is blocked
- check whether the extraction hood (kitchen) is switched on; if it is, switch it off and open a window/door in the proximity of the stove for a short while.

Soot on glass

could be caused by the firewood is too wet.

- make sure that the stove is heated properly when firing up, prior to closing the door

Stove is burning too strong

could be caused by:

- leak around the door seal
- chimney draught too large $>22\text{ Pa}$, draught control regulator should be installed.

Stove is burning too weakly

could be caused by:

- too small amount firewood
- too little air supply for room ventilation
- unclean smoke channels
- leaky chimney
- leakage between chimney and flue

Low draught in chimney

could be caused by

- temperature difference is too small, e.g. due to poorly insulated fluepipe
- outdoor temperature is high e.g. in the summer
- no wind
- chimney is too short or is on the lee side
- false air draught in chimney
- chimney or flue pipe is blocked
- high-density housing (lack of fresh air intake)
- negative smoke draught (poor condition)

In case of cold chimney or difficult weather conditions you can compensate by adding more fresh air (open the damper) to the stove than usual.

If your stove continues to malfunction, we recommend that you contact your RAIS distributor or chimney sweep.

WARNING!!

If incorrectly or too damp firewood is used, it can lead to excessive formation of soot in the chimney and possible a chimney fire:

- in this case shut off all air supply from outside (if installed) to the stove
- contact the fire department
- **never** attempt to put out fire with water!
- afterwards, you should ask your chimney sweeper to check the stove and chimney

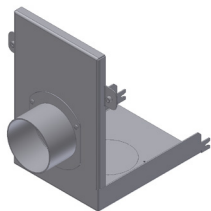
IMPORTANT!!

- to ensure safe burning there must be clear yellow flames or clear embers at all times.
- the firewood should not be smouldering.

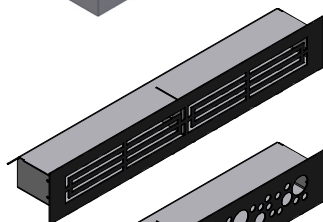
If the firewood is only burning slowly without flames or is smoking, and too little air is added, unburned exhaust gasses are developed. Exhaust gasses can be ignited and explode, leading to damage to material and possibly personal injury.

Never close the air supply completely when lighting a fire in the stove.

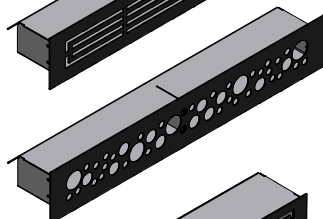
Accessories



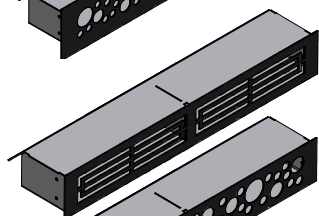
5111790 - Air box



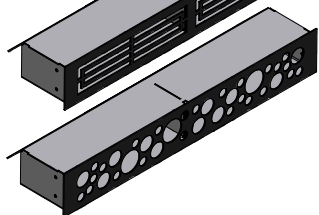
511480490 - Convection grates



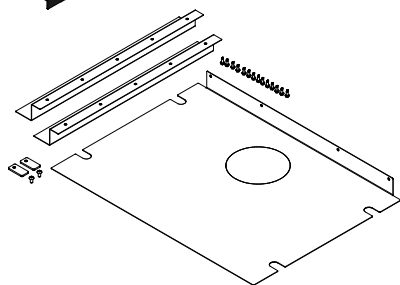
511480890 - Convection grates



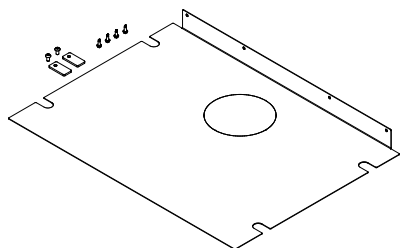
511481390 - Convection grates



511481690 - Convection grates



511010350 - Cover plate - side & bottom



511010450 - Cover plate - bottom

Spare parts

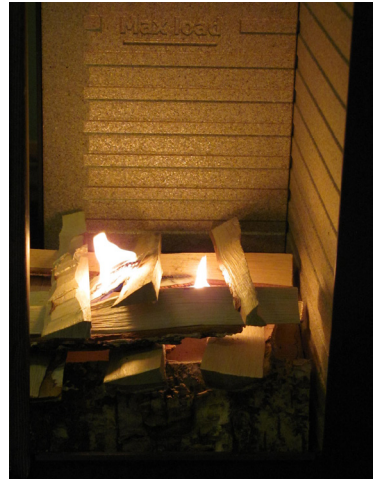
All replaceable parts can be bought as spare parts from your RAIS distributor.
If spare parts other than those recommended by RAIS are used, the warranty is voided.

See the spare parts diagrams at the front of the manual.

Pos.	Qty	Part number	Description
1	1	5111090	Glass door
2	1	5112090	Steel door
3	1	5111401SORT	Cover - 1G
4	1/1	5111430SORT / 5111430HSORT	Cover - 2G
5	1	5111420SORT	Cover, top - 3G
6	1	5111425SORT	Cover, bottom - 3G
7	1/1	5112610MON / 5112610HMON	Cover for side
8	1/1	5112690	Glass side
9	1/1	5112790	Steel side w/glass
10	1/1	5111410SORT / 5111410HSORT	Cover 2G/3G
11	1	5110101	Convex box
12	1	5110990	Air damper
13	1	5112210	Fire brick set f/1G
14	1	5112220	Fire brick set f/2G
15	1	5112230	Fire brick set f/3G
16	1	5115500 / 5115500-1	Sealing set Sealing set
17	1/2	5114810MON	Support rod - 2G/3G



1



2



3



4



5



6

DECLARATION OF PERFORMANCE

Regulation (EU) 305/2011 No. 0001 — CPR-2013/07/01

No.: 511

- | | | | |
|--|--|---|--|
| 1. Unique identification code of the product-type | RAIS 500 ¹
RAIS 500 ²
RAIS 500 ³ | ATTIKA 500 ¹
ATTIKA 500 ²
ATTIKA 500 ³ | |
| | Inset appliance burning solid fuel without hot water supply | | |
| 2. Type | 500 ¹ Inset model
500 ² Corner model
500 ³ 3 glass model | | |
| 3. Intended use | Domestic room heater | | |
| 4. Manufacturer | RAIS A/S
Industrivej 20, Vangen
DK-9900 Frederikshavn,
Denmark | Telephone
Telefax
Webmail
Homepage | +45 98 47 90 33
+45 98 47 92 91
kundeservice@rais.dk
www.rais.com |
| 5. Authorised representative | n/a | | |
| 6. System of assessment AVCP | System 3 | | |
| 7. Notified body | The notified laboratory <i>Danish Technological Institute - Identification no. 1235
Teknologiparken, Kongsvang Allé 29, DK-8000 Århus C</i>

performed the determination of the product type on the basis of type testing under system 3 and issued test report

a. 300-ELAB-1655-EN-rev-1 | | |

- 8. Declared performance** Harmonized technical specification: EN 13229:2001/A2:2004/AC:2007

Essential characteristics	Performance			
Fire safety	<ul style="list-style-type: none"> • Insulated flue • 13 mm non-combustible panel board 			
Reaction to fire	A1	Inset model	Corner model	3 glass model
Distance to combustible materials	Insulation thickness rear	113	113	113
Minimum distances [mm]	Insulation thickness sides	113	113	-
<i>For other installation or wall settings see instruction manual</i>	Insulation thickness ceiling	850		
	Front	900		
	Floor	400		
Risk of burning fuel falling out	Pass			
CO-emission of combustion products	0.058 %			
Surface temperature	Pass			
Electrical safety	Pass			
Cleanability	Pass			
Maximum operating pressure	- bar			
Flue gas temperature T at nominal heat output	292 °C			
Mechanical resistance (to carry a chimney/flue)	NPD			
Thermal output				
Nominal heat output	6 kW			
Room heating output	6 kW			
Water heating output	- kW			
Energy efficiency ^η	80 %			

- 9. The performance of the product identified in points 1 and 2 is in conformity with the declared performance in point 8. This declaration of performance is issued under the sole responsibility of the manufacturer identified in point 4.**

Signed for and on behalf of the manufacturer by:

Henrik Nørgaard, Managing Director

Place FREDERIKSHAVN, DENMARK

Date 24-08-2015

Signature



attika[®]
FEUERKULTUR

ATTIKA FEUER AG

Brunnmatt 16
CH-6330 Cham
Switzerland
www.attika.ch

RAIS[®]
ART OF  FIRE

RAIS A/S
Industrivej 20
DK-9900 Frederikshavn
Denmark
www.rais.dk